

Showtec

Mirrorball Set 30cm

ORDERCODE 30235



SHOWELECTRONICS FOR PROFESSIONALS

Congratulations!

You have bought a great, innovative product from Showtec.
The Showtec Mirrorball Set brings excitement to any venue.

You can rely on Showtec, for more excellent lighting products.
We design and manufacture professional light equipment for the entertainment industry.
New products are being launched regularly. We work hard to keep you, our customer, satisfied.
For more information: iwant@showtec.info

You can get some of the best quality, best priced products on the market from Showtec.
So next time, turn to Showtec for more great lighting equipment.
Always get the best -- with Showtec !

Thank you!



Showtec

Showtec Mirrorball Set™ Product Guide

Warning	3
Safety-instructions.....	3
Operating Determinations.....	3
Rigging.....	4
Description	5
Features.....	5
Installation	5
Installing the Lamp	5
Installing the Colorwheel.....	6
Installing the Motor.....	6
Installing the Mirrorball.....	6
Set Up and Operation	6
Maintenance	7
Changing the Lamp.....	7
Troubleshooting	7
No Light.....	7
Product Specifications	8

WARNING



CAUTION!
Keep this device away from rain and moisture!



**FOR YOUR OWN SAFETY, PLEASE READ THIS USER MANUAL CAREFULLY
BEFORE YOUR INITIAL START-UP!**

SAFETY INSTRUCTIONS

Every person involved with the installation, operation and maintenance of this device has to:

- be qualified
- follow the instructions of this manual



CAUTION! Be careful with your operations.
With a dangerous voltage you can suffer
a dangerous electric shock when touching the wires!



Before your initial start-up, please make sure that there is no damage caused by transportation. Should there be any, consult your dealer and do not use the device.

To maintain perfect condition and to ensure a safe operation, it is absolutely necessary for the user to follow the safety instructions and warning notes written in this manual.

Please consider that damages caused by manual modifications to the device are not subject to warranty.

This device contains no user-serviceable parts. Refer servicing to qualified technicians only.

IMPORTANT:

The manufacturer will not accept liability for any resulting damages caused by the non-observance of this manual or any unauthorized modification to the device.

- Never let the power-cord come into contact with other cables! Handle the power-cord and all connections with the mains with particular caution!
- Never remove warning or informative labels from the unit.
- Do not open the device and do not modify the device.
- Do not insert objects into air vents.
- Do not connect this device to a dimmerpack.
- Do not shake the device. Avoid brute force when installing or operating the device.
- Never lift the device by holding it at the colorwheel, as the mechanics may be damaged. Always hold the device at the mounting bracket.
- Never look directly into the light source.
- Never leave any cables lying around.
- Do not switch the device on and off in short intervals, as this would reduce the lamp's life.
- Never use the device during thunderstorms, unplug the device immediately.
- Do not touch the device's housing bare-handed during its operation (housing becomes hot).
- Only use device indoor, avoid contact with water or other liquids.
- Avoid flames and do not put close to flammable liquids or gases.
- Only operate the device after having familiarized with its functions.
- Always replace the lamp, when it is damaged or deformed due to the heat.
- Always keep case closed while operating.
- Always allow free air space of at least 50 cm around the unit for ventilation.

- Always disconnect power from the mains, when device is not used or before cleaning! Only handle the power-cord by the plug. Never pull out the plug by tugging the power-cord.
- Make sure that the device is not exposed to extreme heat, moisture or dust.
- Only install the device with the hanging-bracket.
- Make sure that the available voltage is not higher than stated on the rear panel.
- Make sure that the power-cord is never crimped or damaged. Check the device and the power-cord from time to time.
- Make sure that no side forces can impact on the truss system.
- The cable insert or the female part in the device must never be strained. There must always be sufficient cable to the device. Otherwise, the cable may be damaged which may lead to deadly electrical shocks.
- Make sure that the rotation of the mirror ball is not interrupted in any way by decoration parts, etc.
- Make sure that, at the installation place, the mirror ball cannot start to swing due to aircurrents, etc. The mirror ball and the motor should be hung and operated absolutely vibration-free.
- Regularly examine whether the keyring or the chain has any deformations. If you find any, immediately detach the mirror ball.
- The length of the chain with the mirror ball may never exceed 100 cm.
- If the external cable is damaged, it has to be replaced by a qualified technician.
- If the lens or glass is obviously damaged, it has to be replaced. So that its functions are not impaired, due to cracks or deep scratches.
- If device is dropped or struck, disconnect mains power supply immediately. Have a qualified engineer inspect for safety before operating.
- If the device has been exposed to drastic temperature fluctuation (e.g. after transportation), do not switch it on immediately. The arising condensation water might damage your device. Leave the device switched off until it has reached room temperature.
- If your Showtec device fails to work properly, discontinue use immediately. Pack the unit securely (preferably in the original packing material), and return it to your Showtec dealer for service.
- For adult use only. Lighteffect must be installed out of the reach of children. Never leave the unit running unattended.
- Allow time to cool down, before replacing lamp.
- The user is responsible for correct positioning and operating of the Mirrorball Set. The manufacturer will not accept liability for damages caused by the misuse or incorrect installation of this device.
- This device falls under protection class I. Therefore it is essential to connect the yellow/green conductor to earth.
- During the initial start-up some smoke or smell may arise. This is a normal process and does not necessarily mean that the device is defective.
- Repairs, servicing and electric connection must be carried out by a qualified technician.
- For replacement use lamps and fuses of same type and rating only.
- WARRANTY: Till one year after date of purchase.



CAUTION ! EYEDAMAGES !.
Avoid looking directly into the light source.
(meant especially for epileptics) !



OPERATING DETERMINATIONS

This device is not designed for permanent operation. Consistent operation breaks will ensure that the device will serve you for a long time without defects.

The minimum distance between light-output and the illuminated surface must be more than 0,5 meters.

The maximum ambient temperature $t_a = 45^\circ\text{C}$ must never be exceeded.

The relative humidity must not exceed 50 % with an ambient temperature of 45°C .

If this device is operated in any other way, than the one described in this manual, the product may suffer damages and the warranty becomes void.
Any other operation may lead to dangers like short-circuit, burns, electric shock, lamp explosion, crash etc.

You endanger your own safety and the safety of others!

Rigging

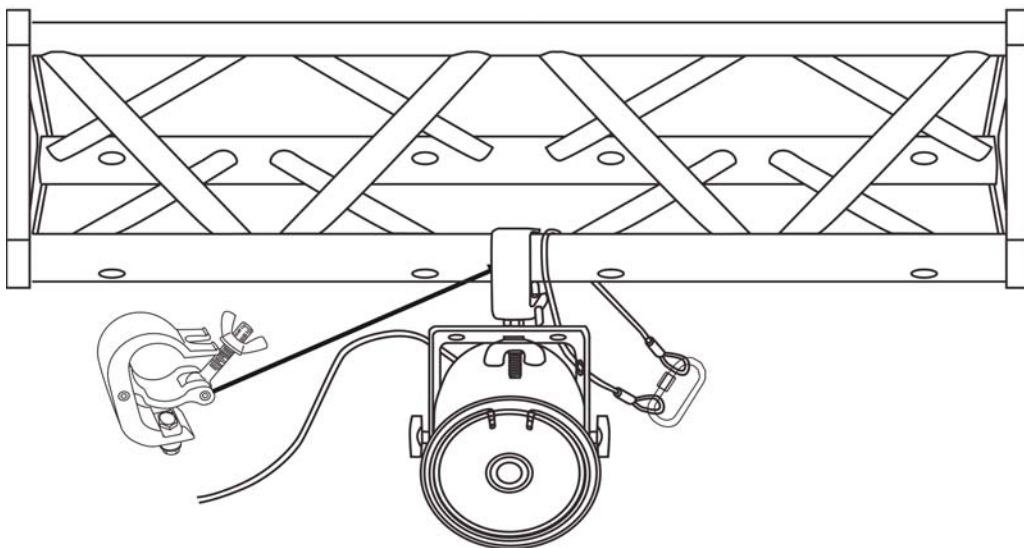
Please follow the European and national guidelines concerning rigging, trussing and all other safety issues.

Do not attempt the installation yourself !

Always let the installation be carried out by an authorized dealer !

Procedure:

- If the pinspot, mirrorball or motor is lowered from the ceiling or high joists, professional trussing systems have to be used.
- Use a clamp to mount the pinspot, with the mounting-bracket, to the trussing system.
- The Pinspot must never be fixed swinging freely in the room.
- The installation must always be secured with a safety attachment, e.g. an appropriate safety net or safety-cable.
- When rigging, derigging or servicing the device, always make sure, that the area below the installation place is blocked and staying in the area is forbidden.



Improper installation can cause serious damage to people and property !

Connection with the mains

Connect the device to the mains with the power-plug.

Always pay attention, that the right color cable is connected to the right place.

Cable	Pin	International
BROWN	FASE	L
BLUE	NUL	N
YELLOW/GREEN	EARTH	⏚

Make sure that the device is always connected properly to the earth!

Description of the device

Features

The Mirrorball Set is a parcan with colorwheel, mirrorball and motor from Showtec.

- Pinpoint with 2 rpm. Farbrad (Blue, Yellow, Pink, Green)
- Mirrorball 30 cm.
- Mirrorballmotor 4 rpm.
- Plug-&-Play

Overview



Fig. 1

Installation

Installing the Lamp

The Mirrorball Set uses the 6V/30W Par 36 (ordercode 80801 / 82160) bulb, as manufactured by all popular manufacturers. Use only the appropriate lamp for your unit.

Note that, product versions that use other lamps, may be offered in the future. Check your product specification label for information.

Always disconnect from electric mains power supply before changing lamps.

The lamp has to be replaced when it is damaged or deformed due to the heat.

Do not install lamps with a higher wattage! Lamps with a higher wattage generate temperatures the device was not designed for.

Damages caused by non-observance are not subject to warranty.

Warning: Allow 15 minutes to cool down, before replacing lamp.

Installing the Lamp

Procedure :

1. Remove the fixation ring by pressing it together.
2. Gently turn the pinspot with the lamp side down, so the lamp falls out.
3. Use a flat-head screwdriver to loosen the 2 screws that secure the wire to the bulb's socket. Remove the old bulb and take the new lamp. Read lamp instructions. Do not touch the lamp bulb glass. Oil on hands shortens the lamp life. (If you touch the bulb glass, wipe off the glass with a clean, lint-free towel and rubbing alcohol).
4. Reconnect the 2 wires to the screws of the new lamp and gently tighten the screws. Insert the new lamp into the housing.
5. Replace the lens and fix the lamp and the lens with the fixation screw.

Installing the Colorwheel

Procedure :

1. Unscrew the nut and the first tooth ring from the fixation axle of the colour-wheel motor.
2. Remove the foil of the colour-wheel.
3. Slip the colorwheel onto the fixation axle of the motor.
4. Slip the tooth ring first and then the nut onto the fixation axle.
5. Fasten the nut without damaging the colorwheel.
6. Fix the colorwheel with motor via the fixation on the motor to the Pinspot housing and tighten the screw.
7. Attach the safety-rope with the carabine at the Pinspot's mounting-bracket.

Installing the Mirrorballmotor

Procedure :

1. The fixation holes are located on the baseplate.
2. Hold the baseplate onto the location where the device is to be installed.
3. Mark the boreholes with a pen or a suitable tool.
4. Drill the holes.
5. Hold the baseplate in the desired position and tighten it.

Installing the Mirrorball

Procedure :

1. Connect the mirrorball chain with the screw-on chain link to the installation eye of the mirrorball and tighten the fixation screw.
2. Insert the fourth chain link of the mirrorball chain, with the mirrorball in the screw-on chain link and tighten the fixation screw.

Warning: The installation materials may never include abrading material e.g. steel cables in order to avoid material wearing.

The length of the chain may never exceed 100 cm.

Set Up and Operation

Before plugging the unit in, always make sure that the power supply matches the product specification voltage. Do not attempt to operate a 120V specification product on 230V power, or vice versa.

After you connected the devices to the mains, they start running. The lamp begins to burn and the colourwheel begins to rotate.

Maintenance

The operator has to make sure that safety-relating and machine-technical installations are to be inspected by an expert after every four years in the course of an acceptance test.

The operator has to make sure that safety-relating and machine-technical installations are to be inspected by a skilled person once a year.

The following points have to be considered during the inspection:

1. All screws used for installing the device or parts of the device have to be tightly connected and must not be corroded.
2. There may not be any deformations on housings, fixations and installation spots.
3. Mechanically moving parts like axles, eyes and others may not show any traces of wearing.
4. The electric power supply cables must not show any damages or material fatigue.

The Showtec Mirroball Set requires almost no maintenance. However, you should keep the unit clean. Otherwise, the fixture's light-output will be significantly reduced. Disconnect the mains power supply, and then wipe the cover with a damp cloth. Do not immerse in liquid. Wipe lens clean with glass cleaner and a soft cloth. Do not use alcohol or solvents. Keep connections clean. Disconnect electric power, and then wipe the connections with a damp cloth. Make sure connections are thoroughly dry before linking equipment or supplying electric power.

Changing the Lamp

If the device is connected to power supply and the lamp is not on, the lamp might need to be replaced. The replacement of the lamp functions as follows:

1. Disconnect mains power supply. Remove the fixation ring by pressing it together.
2. Gently turn the pinspot with the lamp side down, so the lamp falls out.
3. Use a flat-head screwdriver to loosen the 2 screws that secure the wire to the bulb's socket. Remove the old bulb.
4. Follow directions for installing a new lamp, page 5.

Troubleshooting

Showtec Mirrorball Set

This troubleshooting guide is meant to help solve simple problems.

If a problem occurs, carry out the steps below in sequence until a solution is found. Once the unit operates properly, do not carry out following steps.

1. If the device does not operate properly, unplug the device.
2. Check the fuse, power from the wall, all cables, etc.
3. If all of the above appears to be O.K., plug the unit in again.
4. If nothing happens after 30 seconds, unplug the device.
5. Return the device to your Showtec dealer.

No Light

This troubleshooting guide is meant to help solve simple problems. If a problem occurs, carry out the steps below in sequence until a solution is found. Once the unit operates properly, do not carry out following steps.

If the light effect does not operate properly, refer servicing to a technician.

Response: Suspect two potential problem areas: the power supply or the lamp.

1. Power supply. Check that the unit is plugged into an appropriate power supply.
2. The lamp. Replace the old lamp with a new one with the same specifications. See page 5 for replacing lamps.

Product Specification

Model: Showtec Mirrorball Set

Pinspot

Voltage: AC 230V-50Hz (CE)

Power: 36W

Dimensions: 150x120x115mm (LxWxH)

Weight: 1 kg

Pinspot Colorwheel

Voltage: AC 230V-50Hz (CE)

Power: 4W

Rotation: 2 rpm.

Dimensions: ø 230mm

Weight: 0,1 kg

Mirrorball

Dimensions: ø 300mm

Weight: 2 kg

Mirrorballmotor

Voltage: AC 230V-50Hz (CE)

Power: 4W

Rotation: 4 rpm.

Max. Weight: 4 kg

Max. Mirrorballdiameter: 40 cm

Dimensions: ø 110mm, Height 80mm

Weight: 0,4 kg

Lamps

Allowed lamp models*:

Showtec Par 36 6,4V 30W G53 Screw VNSP (100hr) ordercode 82160

GE Par 36 6,4V 30W G53 Screw VNSP (100hr) ordercode 80801

*: Versions for other lamps may be produced. Please check the specification label on your product.

Design and product specifications are subject to change without prior notice.





© 2005 Showtec.