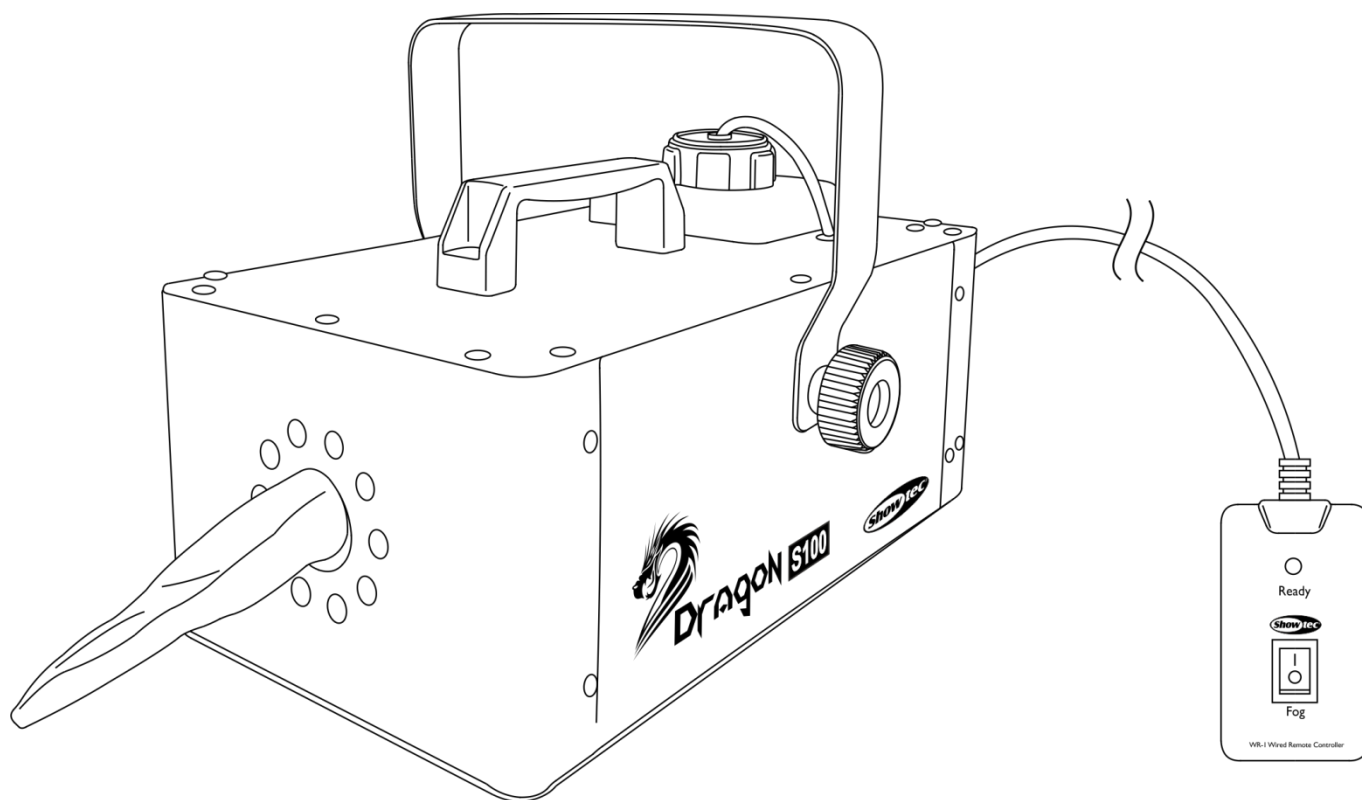




MANUAL



ENGLISH

Dragon S100

V1

Ordercode: 61110

Table of contents

Warning	2
Safety Instructions	2
Operating Determinations	4
Rigging	4
Connection with the mains.....	4
Return Procedure.....	5
Claims.....	5
Description of the device	6
Features	6
Frontside.....	6
Backside	7
Installation	7
Set Up and Operation	8
Maintenance	8
Replacing a Fuse	8
Troubleshooting	9
Product Specification	9
Dimensions	10

Warning



**For your own safety, please read this user manual carefully
before your initial start-up!**

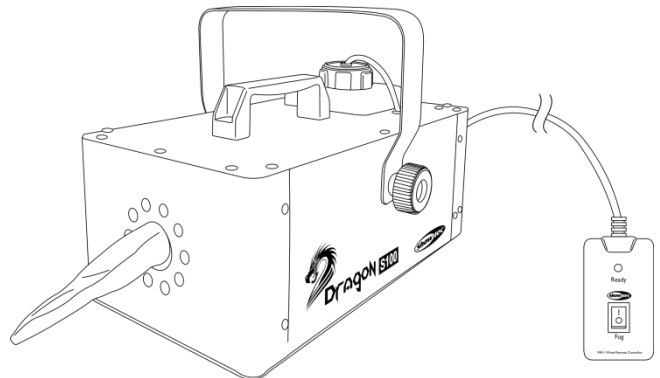


Unpacking Instructions

Immediately upon receiving this product, carefully unpack the carton and check the contents to ensure that all parts are present and have been received in good condition. Notify the dealer immediately and retain packing material for inspection if any parts appear damaged from shipping or the carton itself shows signs of mishandling. Save the carton and all packing materials. In the event that a fixture must be returned to the factory, it is important that the fixture be returned in the original factory box and packing.

Your shipment includes:

- Dragon S100
- Not detachable on/off remote control (cable length: 3,3 m)
- IEC power cable (1,5 m)
- User manual



CAUTION!
Keep this device away from rain and moisture!
Unplug mains lead before opening the housing!



Safety Instructions

Every person involved with the installation, operation and maintenance of this device has to:

- be qualified
- follow the instructions of this manual



CAUTION! Be careful with your operations.
**With a dangerous voltage you can suffer
a dangerous electric shock when touching the wires!**



Before your initial start-up, please make sure that there is no damage caused by transportation. Should there be any, consult your dealer and do not the device.

To maintain perfect condition and to ensure a safe operation, it is absolutely necessary for the user to follow the safety instructions and warning notes written in this manual.

Please consider that damages caused by manual modifications to the device are not subject to warranty.

This device contains no user-serviceable parts. Refer servicing to qualified technicians only.

IMPORTANT:

The manufacturer will not accept liability for any resulting damages caused by the non-observance of this manual or any unauthorized modification to the device.

- Never let the power cord come into contact with other cables! Handle the power cord and all connections with the mains with particular caution!
- Never remove warning or informative labels from the unit.
- Never aim the output directly at people.
- Never aim the output at open flames.
- Never add flammable liquids of any kind (oil, gas, perfume) to the snow liquid.
- Never drink snow liquid. If it is ingested, call a doctor immediately. If snow liquid comes in contact with skin or eyes, rinse thoroughly with water.
- Never lock snow-filled rooms. Risk: panic among the locked persons!
- Never blow snow permanently! The snow must only be used for a short period of time.
- Do not connect this device to a dimmerpack.
- Do not switch the device on and off in short intervals, as this would reduce the device's life.
- Only use device indoors, avoid contact with water or other liquids.
- Only use snow in well-ventilated rooms.
- Only use the high-quality snow liquid, recommended by your Showtec dealer (5L snow liquid ordercode 80359). Other snow liquids may cause poor snow effect.
- Avoid flames and do not put close to flammable liquids or gases.
- Always make sure that there is sufficient liquid in the snow liquid tank. Operating this unit without liquid will cause damage to the pump.
- Always allow free air space of at least 20 cm around the sides and top of the unit.
- Always drain tank before shipping or otherwise transporting this unit.
- Always keep tank cap closed while operating.
- Always keep the snow machine upright.
- For adult use only. Snow machine must be installed out of the reach of children. Never leave the unit running unattended. Leave the grid guarding the snow output sleeve in place if the machine is to be used in the presence of children.
- Always keep the snow output sleeve at least 50 cm away from contact with anything, while in operation.
- Always disconnect power from the mains, when device is not used or before cleaning! Only handle the power cord by the plug. Never pull out the plug by tugging the power cord.
- Make sure that the available voltage is not higher than stated on the rear panel.
- Make sure that the power cord is never crimped or damaged. Check the device and the power cord from time to time.
- If device is dropped or struck, disconnect mains power supply immediately. Have a qualified technician inspect for safety before operating.
- If the device has been exposed to drastic temperature fluctuation (e.g. after transportation), do not switch it on immediately. The arising condensation water might damage your device. Leave the device switched off until it has reached room temperature.
- If your Dragon S100 fails to work properly, discontinue use immediately. Drain all snow liquid from the tank, pack the unit securely (preferably in the original packing material), and return it to your Showtec dealer for service.
- Allow time to cool down, before cleaning or servicing.
- The residence time of persons in snow-filled rooms with the visibility worse than 15 m must never exceed 5 minutes.
- The use of snow liquid is only allowed for adults.
- Repairs, servicing and electric connection must be carried out by a qualified technician.
- In dense, snow-saturated surroundings, the oxygen portion is substantially reduced!
- The snow density must be portioned in a way that the visibility will always be better than 5 m. Danger of anxiety state due to missing orientation!
- Every snow-filled room must be overseen by a skilled person.
- This device falls under protection class I. Therefore it is essential to connect the yellow/green conductor to earth.
- WARRANTY: Till one year after date of purchase.

Operating Determinations

- This device is not designed for permanent operation. Consistent operation breaks will ensure that the device will serve you for a long time without defects.
- The maximum ambient temperature $t_a = 40^\circ\text{C}$ must never be exceeded.
- The relative humidity must not exceed 50 % with an ambient temperature of 40°C .
- If this device is operated in any other way, than the one described in this manual, the product may suffer damages and the warranty becomes void.
- Any other operation may lead to dangers like short-circuit, burns, electric shock, crash etc.

You endanger your own safety and the safety of others!

Rigging

Please follow the European and national guidelines concerning rigging, trussing and all other safety issues.

Do not attempt the installation yourself!

Always let the installation be carried out by an authorized dealer!


Procedure:

- If the snow machine is lowered from the ceiling or high joints, professional trussing systems have to be used.
- Use a clamp to mount the snow machine, with the mounting-bracket, to the trussing system.
- The snow machine must never be fixed swinging freely in the room.
- The installation must always be secured with a safety attachment, e.g. an appropriate safety net or safety-cable.
- When rigging, derigging or servicing the snow machine, always make sure, that the area below the installation place is blocked and staying in the area is forbidden.

Connection with the mains

Connect the device to the mains with the power-plug.

Always pay attention, that the right color cable is connected to the right place.

International	EU Cable	UK Cable	US Cable	Pin
L	BROWN	RED	YELLOW/COPPER	PHASE
N	BLUE	BLACK	SILVER	NEUTRAL
	YELLOW/GREEN	GREEN	GREEN	PROTECTIVE GROUND

Make sure that the device is always connected properly to the earth!

Improper installation can cause serious damage to people and property!



Return Procedure



Returned merchandise must be sent prepaid and in the original packing, call tags will not be issued. Package must be clearly labeled with a Return Authorization Number (RMA number). Products returned without an RMA number will be refused. Highlite will not accept the returned goods or any responsibility. Call Highlite 0031-455667723 or mail aftersales@highlite.nl and request an RMA prior to shipping the fixture. Be prepared to provide the model number, serial number and a brief description of the cause for the return. Be sure to properly pack fixture, any shipping damage resulting from inadequate packaging is the customer's responsibility. Highlite reserves the right to use its own discretion to repair or replace product(s). As a suggestion, proper UPS packing or double-boxing is always a safe method to use.

Note: If you are given an RMA number, please include the following information on a piece of paper inside the box:

- 01) Your name
- 02) Your address
- 03) Your phone number
- 04) A brief description of the symptoms

Claims

The client has the obligation to check the delivered goods immediately upon delivery for any shortcomings and/or visible defects, or perform this check after our announcement that the goods are at their disposal. Damage incurred in shipping is the responsibility of the shipper; therefore the damage must be reported to the carrier upon receipt of merchandise.

It is the customer's responsibility to notify and submit claims with the shipper in the event that a fixture is damaged due to shipping. Transportation damage has to be reported to us within one day after receipt of the delivery.

Any return shipment has to be made post-paid at all times. Return shipments must be accompanied with a letter defining the reason for return shipment. Non-prepaid return shipments will be refused, unless otherwise agreed in writing.

Complaints against us must be made known in writing or by fax within 10 working days after receipt of the invoice. After this period complaints will not be handled anymore.

Complaints will only then be considered if the client has so far complied with all parts of the agreement, regardless of the agreement of which the obligation is resulting.

Description of the device

Features

The Dragon S100 is a compact but powerful snow machine. Its powerful output can create a cosy and snowy atmosphere in any venue.

- Input Voltage: 220-240V AC, 50Hz
- Power consumption: 650 W
- Easy to operate
- Powerful output
- Compact size
- Liquid use: 0,138 L / min
- Tank capacity: 1,1 L
- Power connection: Schuko
- Fuse: F3AL/250V
- Dimensions: 340 x 185 x 250 mm (LxWxH)
- Weight: 4 kg
- Included: not detachable on/off remote control (cable length: 3,3 m)

Frontside

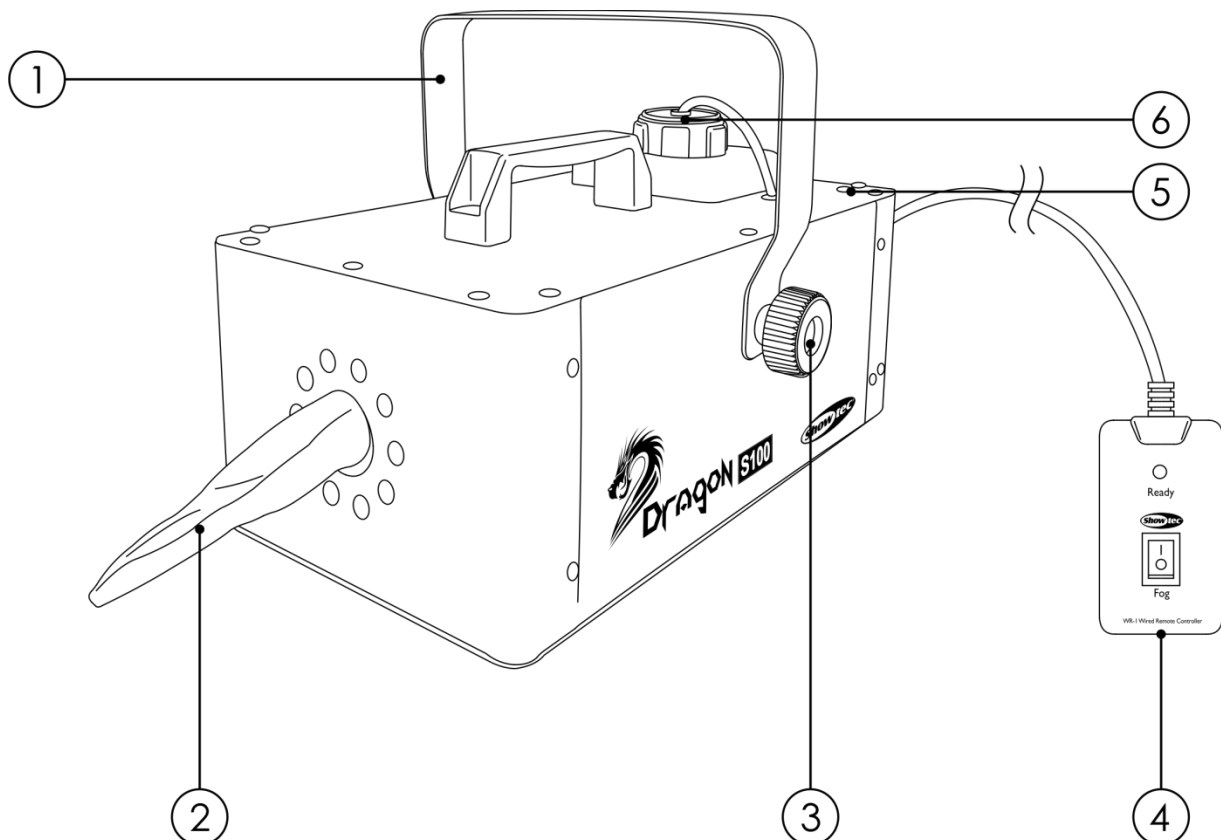


Fig. 01

- 01) Mounting bracket with inclination screw
- 02) Snow output sleeve
- 03) Adjustment screw
- 04) Remote control (cable length: 3,3 m)
- 05) Ground/earth connection
- 06) Liquid tank 1,1 L

Backside

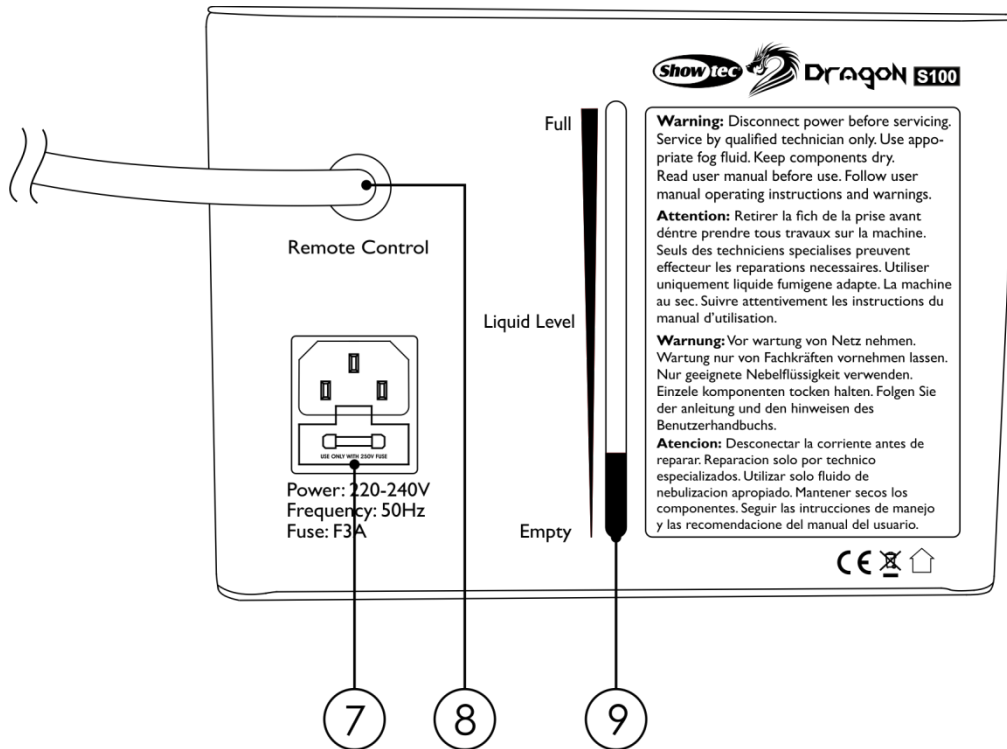


Fig. 02

- 07) IEC power connector 220-240V AC + Fuse F3AL/250V
- 08) Remote control cable (3,3 m)
- 09) Snow liquid level indicator

Installation

Remove all packing materials from the Dragon S100. Check that all foam and plastic padding is removed, especially in the snow output sleeve area.

Fill with snow liquid (ordercode 80359) or other high-quality snow liquid. Any other types of liquid can damage the unit. Make sure that you mix the concentrate snow liquid in the proper proportion (1:25); otherwise you can get serious irritation to your eyes and lungs. When filled, place cap back on liquid tank.

The unit can also be operated at floor level or sitting on any regular surface as well.

If the unit is to be mounted using the bracket, it is important that the snow does not shoot directly at anyone's face. Therefore, do not point the output in a direction that will aim directly at a person.

Whatever installation method you choose, the unit must always be horizontally.

The maximum inclination angle of the device should not exceed 15°.

Always disconnect from electric mains power supply before cleaning or servicing.

Damages caused by non-observance are not subject to warranty.

Set Up and Operation

Before plugging the unit in, always make sure that the power supply matches the product specification voltage. Do not attempt to operate a 120V specification product on 230V power, or vice versa.

Note: Always monitor tank snow level liquid indicator when making snow!

Note: Be careful not to exceed the maximum fluid level. DO NOT OVERFILL!

Note: Running a snow machine with no snow liquid can permanently damage the unit!

Procedure:

- 01) Plug power cord into a grounded electrical outlet.
- 02) To emit snow, switch the button on the remote control to ON position.
- 03) To stop, switch the button on the remote control to OFF position.

Maintenance

The Dragon S100 requires almost no maintenance. However, you should keep the unit clean. Disconnect the mains power supply and then wipe the cover with a damp cloth. Wipe the front panel with a damp cloth. Do not use alcohol or solvents. Do not immerse in liquid.

Keep connections clean. Disconnect electric power, and then wipe the connections with a damp cloth. Make sure connections are thoroughly dry before linking equipment or supplying electric power.

Do not allow the snow liquid to become contaminated. Always replace the caps on the snow liquid container and the snow machine liquid tank immediately after filling.

After every 40 hours of continuous operation, it is recommended to run a cleaning solution composed of 80% distilled water / 20% white vinegar through the system. Repeat this 2-4 times.

When cleaning, use only a clean, lint-free soft cloth. An effective cleaning regimen is as follows:

- 01) While unit is unplugged and cool, clean out debris with vinegar and a pipe cleaner, making sure that the hole is free of clogs.
- 02) Empty all snow liquid from machine. Add cleaning solution to tank. Plug unit in.
- 03) Run unit in a well-ventilated area until tank is empty.
- 04) Refill with snow liquid.

Performance Note:

Snow machines may sputter small amounts of snow occasionally during operation and for about a minute after being turned off.

Replacing a Fuse

Power surges, short-circuit or inappropriate electrical power supply may cause a fuse to burn out. If the fuse burns out, the product will not function whatsoever. If this happens, follow the directions below.

- 01) Unplug the unit from electric power source.
- 02) Insert a screwdriver into the slot in the fuse cover. Gently pry up the fuse cover. The fuse will come out.
- 03) Remove the used fuse. If brown or unclear, it is burned out.
- 04) Insert the replacement fuse into the holder where the old fuse was. Reinsert the fuse cover. Be sure to use a fuse of the same type and specification. See the product specification label for details.

Troubleshooting

This troubleshooting guide is meant to help solve simple problems.

Always monitor tank liquid level as you are blowing snow. Running a snow machine with no liquid can permanently damage the unit.

If a problem occurs, carry out the steps below in sequence until a solution is found. Once the unit operates properly, do not carry out following steps.

If the snow machine does not operate properly, refer servicing to a technician.

- 01) If you experience low output, mechanical pump noises other than the usual normal operating pump noise, or no output at all, unplug immediately.
- 02) Check liquid level, the external fuse, remote connection, and power from the wall.
- 03) If all of the above appears to be O.K., plug the unit in again.
- 04) If snow does not come out after holding the remote button down for 30 seconds, check the hose attached to the tank to make sure there is liquid going through the hose.
- 05) If you are unable to determine the cause of the problem, do not simply continue pushing the remote button, as this may damage the unit.
- 06) Return the machine to your Showtec dealer.

Product Specification

Model:	Dragon S100
Input voltage:	220-240V, 50Hz
Power consumption:	650W
Liquid use:	0,138 L / min
Tank capacity:	1,1 L
Power cable length:	1,5 m
Remote cable length:	3,3 m
Fuse:	F3AL / 250V
Dimensions:	340 x 185 x 250 mm (LxWxH)
Weight:	4 kg
Electro-mechanical effects	
IP Rating:	IP20
Housing:	Specially designed housing ensures an optimum heat dissipation during operation
Mounting:	Bracket (attached to housing)
Housing:	Die-cast aluminum powder coat finish
Power connection:	Schuko
Remote control:	On/off remote control
Cooling:	Convection (no fans)
Max. ambient temperature t_a :	40°C
Max. housing temperature t_B :	80°C
Minimum distance:	
Minimum distance from flammable surfaces:	0,5 m
Minimum distance to lighted object:	1 m

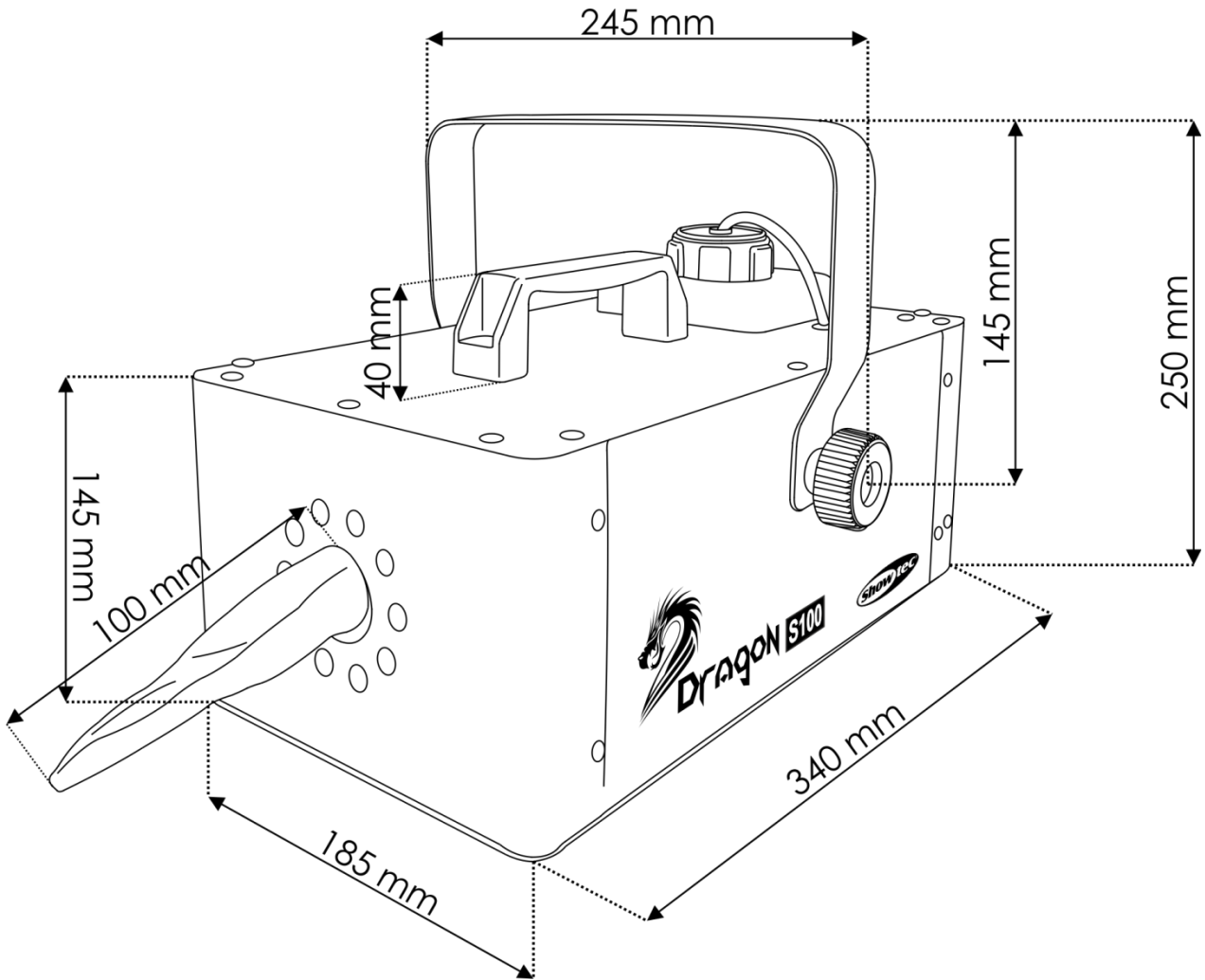
Design and product specifications are subject to change without prior notice.



Website: www.Showtec.info

Email: service@highlite.nl

Dimensions





©2015 Showtec