



# **W-508 & W-510 Fog Machine User Manual**

Please read and save these instructions.  
Antari Lighting and Effects Ltd.



# User Manual

## W-508 & W-510 Fog Machine

Congratulations on the purchase of your new  
ANTARI W-Series FOG MACHINE.

### Introduction

Thank you for choosing an ANTARI W-Series Fog Machine. You now own a rugged and powerful state-of-the-art machine. Prior to use, we suggest that you carefully read all of the instructions. By following the suggestions found in this user manual, you can look forward to the reliable and satisfactory performance of your ANTARI Fog Machine for years to come.

Please follow these operation, safety and maintenance instructions to ensure a long and safe life for your fog machine.



#### **CAUTION:**

Risk of electric shock. Disconnect the appliance from the electric supply before refilling liquid, cleaning or performing maintenance on the machine.

### Danger of Electric Shock

- Keep this device dry.
- For inside use only. Not designed for outside use.
- For all models, use 3-prong grounded electrical outlet only. Prior to use take care to determine that the unit is installed at the rated voltage.
- Always unplug your ANTARI W-Series Fog Machine before filling its tank.
- Always keep fog machine in upright position.
- Turn off or unplug the machine when not in use.
- This machine is not water-proof. If moisture, water, or fog fluid gets inside the housing, immediately unplug the unit and contact a service technician or your ANTARI dealer before using it again.
- No user serviceable parts inside. Refer to your ANTARI dealer or other qualified service personnel.



#### **Danger of Burns**

- This device is for adult use only and must be installed out of the reach of

- children. Never leave the unit running unattended.
- Never aim the output nozzle directly at people.
  - Fog machine output is very hot. Avoid coming within 50 cm of the output nozzle during operation.
  - Locate the fog machine in a well-ventilated area. Never cover the unit's vents. In order to guarantee adequate ventilation, allow a free air space of at least 20 cm around the sides and top of the unit.
  - Never aim the output nozzle at open flames.
  - If the supply cord is damaged, it must be replaced by manufacturer or its service agent or similarly qualified personnel in order to avoid a hazard.
  - The output nozzle becomes very hot during operation (200°C). Keep flammable materials at least 50 cm away from the nozzle.
  - Always allow your ANTARI Fog Machine to cool down before attempting to clean or service it.



#### Danger of Explosion

- Never add flammable liquids of any kind (such as oil, gas, perfume) to the fog liquid.
- Use only high-quality, water-based fog liquid that your dealer recommends. Other fog liquids may cause clogging or “spitting”.
- Always make sure there is sufficient liquid in the tank. Operating this unit without liquid will cause damage to the pump as well as over-heating of the heater.
- If your ANTARI W-508 or W-510 Fog Machine fails to work properly, discontinue use immediately. Drain all fog liquid from the tank, pack the unit securely (preferably in the original packing material), and return it to your ANTARI dealer for service.
- Always drain tank before mailing or transporting this unit.
- Never drink fog liquid. If it is ingested, call a doctor immediately. If fog liquid comes in contact with skin or eyes, rinse thoroughly with water.

**Note:** Pay attention to all warning labels and instructions printed on the exterior of your ANTARI Fog Machine.

## Unpacking & Inspection

Open the shipping carton and verify that all equipment necessary to operate the system has arrived intact.

The shipping carton should contain the following items:

1. One unit of W-508 or W-510 Fog Machine
2. Power cord
3. One Set of W-1 transmitter
4. User Manual
5. Mounting hanging brackets with washers/screws (for W-510)

If any equipment is missing contact your ANTARI dealer immediately.

Before beginning your initial setup on ANTARI W-508 & W-510 Fog Machine, make sure that there is no evident damage caused by transportation. In the event that the unit's housing or cable is damaged, do not plug it in and do not attempt to use it until after contacting your ANTARI dealer for assistance.

## Setup

- Remove all packing materials from shipping box. Check that all foam and plastic padding is removed, especially in the nozzle area.
- Place fog machine on a flat surface and remove fog liquid tank cap.
- Place the liquid tube into a properly filled liquid tank.
- Fill with high-quality, water-based fog liquid recommended by ANTARI dealer. The W-508 & W-510 only works with uncontaminated Antari FLR or FLG Fog Liquid. Any other types of liquid can damage the unit resulting in spitting and serious clogging problem. When filled, place cap back on liquid tank. Be careful not to exceed the maximum fluid level. DO NOT OVERFILL.

## Operation

- Add fluid carefully to the liquid tank. Do not overfill the tank.
- Plug power cord into a grounded electrical outlet. Turn the power switch to "ON" on the back of the machine. The unit will start to warm-up the machine. During this time the machine cannot generate any fog. The green light will flash and stay ON when the warm-up process is complete.
- Please now refer below of "Instructions of Antari Wireless Remote for W-508 & W-510" for setting for the remote controller command.

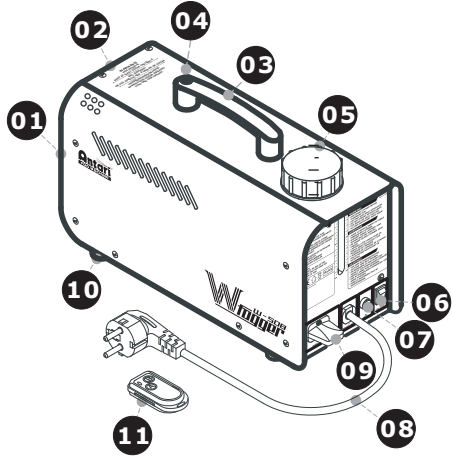
### **Important:**

- Always monitor tank fluid level as you are fogging.
- Never drink Fog liquid. If it is ingested, call a doctor immediately. If fog liquid comes in contact with skin or eyes, rinse thoroughly with water.
- Always replace the caps on the fog liquid container immediately after filling to avoid contamination.

**W-510:** Your model includes a mounting bracket designed for overhead installation; it may be installed at floor level or suspended overhead. If the unit is to be mounted using the bracket, it is important that the fog does not shoot directly at any one's face. Whatever installation method you choose, do not allow the unit to have more than a 25 degree angle of inclination.

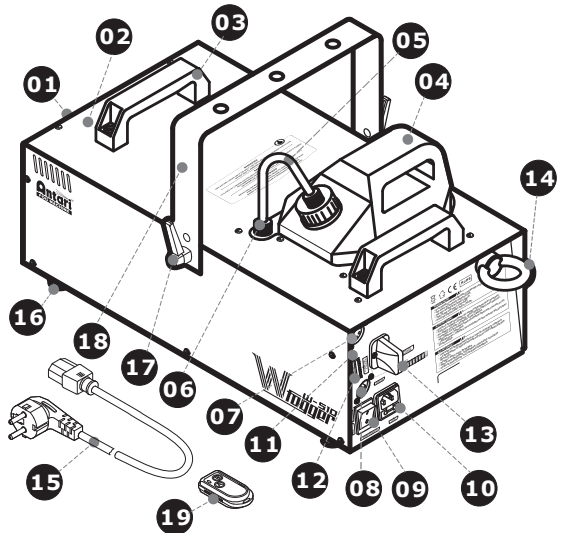
## W-508 External View

- 01-Nozzle
- 02-Body
- 03-Handle
- 04-Handle push button
- 05-Tank cap & tank
- 06-Rocker switch / Power
- 07-Fuse holder
- 08-Power cord
- 09-Wireless receiver
- 10-Foot
- 11-W-1 wireless controller



## W-510 External View

- 01-Nozzle
- 02-Body
- 03-Handle
- 04-Tank & tank's cap
- 05-PU tube & filter
- 06-Tube adaptor
- 07-Control outlet socket (3 Pin XLR for DMX)
- 08-Control inlet socket (3 Pin XLR for DMX)
- 09-Rocker switch / Power
- 10-Power inlet socket & fuseholder (120VAC 250V/T10A) (230VAC 250V/T5A)
- 11-Power lamp
- 12-DIP switch
- 13-Wireless receiver
- 14-Safety ring
- 15-Power cord
- 16-Foot
- 17-Tightening screw
- 18-Hanging bracket
- 19-W-1 Wireless controller



**Note:** An optoelectronic (OPTO) liquid sensor is installed to both W-508 & W-510. The pump will automatically stop working and the LED light indicator on the rear of the machine will start to flash when there's insufficient liquid. Please refill the liquid to the empty tank and restart (turn off then turn on) to dis-alarm the LED indicator.

Then the machine is ready to operate again.

\* If you experience low output, pump noise or no output at all, unplug immediately. Check fluid level, the external fuse, and power from the wall. If all of the above appears to be O.K., plug the unit again. If fog does not come out after holding the remote button down for 30 seconds, check the hose attached to the tank to make sure there is fluid going through the hose. If you are unable to determine the cause of the problem, do not simply continue pushing the remote button, as this may damage the unit. Return the machine to your ANTARI dealer.

## Technical Specifications

Model	W-508	W-510
Power Supply	100~240V AC 50/60 Hz	100~240V AC 50/60 Hz
Power Consumption	800 W	1,000 W
Output Volume	3,000 cu.ft/min (85 m <sup>3</sup> /min)	10,000cu.ft/min (284 m <sup>3</sup> /min)
Tank Capacity	0.8 liters	2.8 liters
Fluid Consumption	60 min /0.8 liter	13 min / liter
Weight	3.8 kg	11.4 kg
Dimensions (LxWxH)	315 x 128 x 166 (mm)	468 x 250 x 148 (mm)
Remote Included	W-1	W-1
Warm-up Time	100 seconds	12min

### Instruction of Antari Wireless Remote for W-508 & W-510

**\* Transmitter:**

- Transmitter: Use DC 12V battery
- Working Distance: 50 meters in open area (wireless distance may vary depending on the interference)
- All transmitters are compatible to any receiver



**\* Receiver:**

- The receiver is pre-equipped firmly and tested to each of the W-508 & W-510 (rear panel), please do not try to remove it.



**\* Functions and Setting:**

1. All receivers can receive signals from any registered transmitter.
2. Each receiver is able to record at most 5 signals from the transmitter.
3. The included transmitter has been registered before shipment. User can operate it directly without any start-up setting. The initial setting is pressing button "A" which triggers the machine and pressing button "B" can stop the fogging.
4. If user desires to use other transmitters (except the included one in the shipment) to control machine, the setting must be completed within 15 seconds after switching on the machine otherwise it will leave "transmitter setting mode" automatically.

**Setting Example 1:**

There is a LED light on the rear control panel of the machine. When the machine is turned on, the LED green light will flash for 15 seconds. During the 15 seconds interval, users can register signals for the transmitters. If the registering signal of transmitter is well-received by the receiver, the LED light will stop flashing and fixed green light will appear. If user desires to use 1 transmitter to control 2 or more machines at the same time, user has to turn on 2 (or more) machines altogether, and press the button "A" of the transmitter within 15 seconds to set the signals.

5. If no any other new transmitter is registered when machine is switched on, the memory of the receiver will remain the same record of the last operation.
6. Please note if a new transmitter is registered when machine is switched on, no matter how many new transmitters is registered (at most 5), all previous transmitters registered record will be cleared (overridden)

## Performance Note

- All fog machines develop condensation around the output nozzle. Because this may result in some moisture accumulation on the surface below the output nozzle, consider this condensation when installing your unit.
- All fog machines may sputter small amounts of fog occasionally during operation and for a minute or so after being turned off.
- All fog machines have a recycling period after long bursts when the machine will shut itself down for a short period in order to heat up again. During this time no fog can be produced.

## Cleaning and Storage

Do not allow the fog liquid to become contaminated. Always replace the caps on the fog liquid container and the fog machine liquid tank immediately after filling. Cleaning your fog machine regularly can help you to reduce the frequency of parts replacement and the cost of maintenance. After every 40 hours of continuous operation, it is recommended to use distilled water to clean the heater as per following steps:

### **The recommended cleaning regimen is as follows:**

1. Fill proper distilled water into a clean tank and connect the fluid tube of the fog machine to the tank.
2. Run the unit in a well-ventilated area until the tank is almost empty.
3. Use dry cloth to wipe the fog machine. Cleaning is now complete. Refill with fog liquid. Run the machine briefly to clear any remaining liquid from the pump and heater.

**Note:** All fog machines are prone to clogging due to the thick consistency of fog liquid and the high temperature at which it vaporizes. However, a properly maintained fog machine should provide years of reliable use.

### **Clean with a dry cloth only. Store dry.**

If the fog machine is not in use, please clean it before storage. Store the fog machine in a dry and cool place. At least operate the fog machine once a month. A test-run consists of warming-up the machine followed by a few minutes of fog emission.

Please read and save these instructions.



## Antari W-510 DMX Fog Machine Settings

### Channel A



**0 - 128 = OFF**

**129 - 255 = Maximum Volume Output (100%)**

The W-510 Fog Machine has on-board DMX control (by DIP-Switch) except on W-508. W-510 uses 1 channel to control on/off operation. Each channel has a value range of 0 to 255. On/Off function can be programmed using the DMX controller or the DMX control software being used by lighting and effects operator.

**If Channel A has a value from 0 to 128, the unit is OFF.**

**Between the values 129 to 255 the volume of fog output is at maximum (100% output).**

**Note:** In the example above, if the machine were assigned the DMX address of 130, Channel A would correspond to DMX address 130.

## Addressing

Each device occupies 1 channel. To ensure that the control signals are properly directed to each device, they require addressing. This is to be adjusted for every single device by changing the DIP-switches as set out in the table below.

The starting address is defined as the first channel from which the device will respond to the controller.

Please make sure that you do not have any overlapping channels in order to control each device correctly and independently from any other fixture on the DMX data link. If two, three or more devices are addressed similarly, they will work similarly.

### Occupation of the DIP-switches:

Setting the DMX-starting address:	DIP-switch no.	1	2	3	4	5	6	7	8	9
Device number & channels	Starting address	1	2	4	8	16	32	64	128	256
	Device 1 - Channel 1	ON ▲								
	OFF ▼		▼	▼	▼	▼	▼	▼	▼	▼
Device 2 - Channel 2	ON		▲							
	OFF ▼	▼		▼	▼	▼	▼	▼	▼	▼
Device 3 - Channel 3	ON	▲	▲							
	OFF			▼	▼	▼	▼	▼	▼	▼
Device 4 - Channel 4	ON			▲						
	OFF ▼	▼	▼		▼	▼	▼	▼	▼	▼
Device 5 - Channel 5	ON	▲		▲						
	OFF ▼		▼		▼	▼	▼	▼	▼	▼

## Warranty

Warranty shall be valid only if the product is purchased from Antari's authorized distributors or dealers. For warranty service, send the product only to an authorized distributor or dealer.

All warranties are void if the product has been modified in any manner; if the product has been repaired or serviced by unauthorized personnel; or the product is damaged due to improper use or maintenance as set forth in the instruction manual.

This is not a service contract and does not include standard maintenance or cleaning. All expendables are not covered by this warranty.

Additional warranties provided at the discretion of the distributor dealers shall remain the sole obligation of the distributor or dealer.

Always quote the unit's serial number and model name when contacting your distributor for information or assistance.

The logo features the word "Antari" in a bold, red, sans-serif font with a registered trademark symbol. Above the letter 'i' are three red diagonal lines. Below "Antari" is a black rectangular box containing the words "FOG MACHINE" in white, uppercase, sans-serif font.

# Antari<sup>®</sup>

FOG MACHINE

For current product information visit Antari at :  
[www.antari.com](http://www.antari.com), [www.antari.com.tw](http://www.antari.com.tw)  
For information requests please contact us at :  
[sales@antari.com](mailto:sales@antari.com)



C08W50100