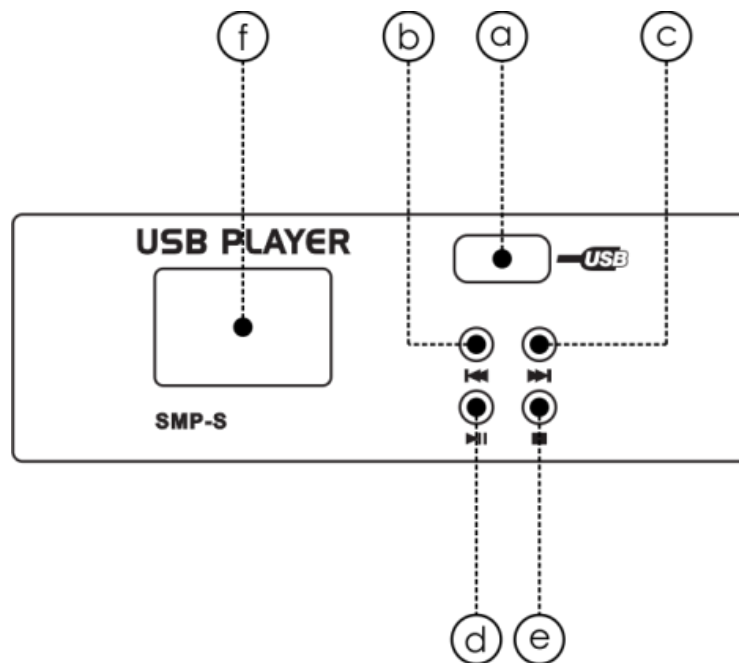


## MP3 USB play module

The file system should be FAT16 or FAT32. This player can only decode MP3. It has 7 rank subordinate folders at most.

- A            USB port: Allows the connection of any USB memory stick.
- B        ◀◀ PRE: Use this button to go back to the beginning of the current track or select a previous track for playing.
- C        ▶▶ NEXT: Use this button to skip to the next track.
- D        ▶|| PLAY / PAUSE: Use this button to start playback. Press once to start playback, twice to set the pause mode and again to resume playback.
- E        ■ STOP: Press this button to stop playback.
- F        DISPLAY: All the USB player information is monitored through this display.





©2013 DAP Audio