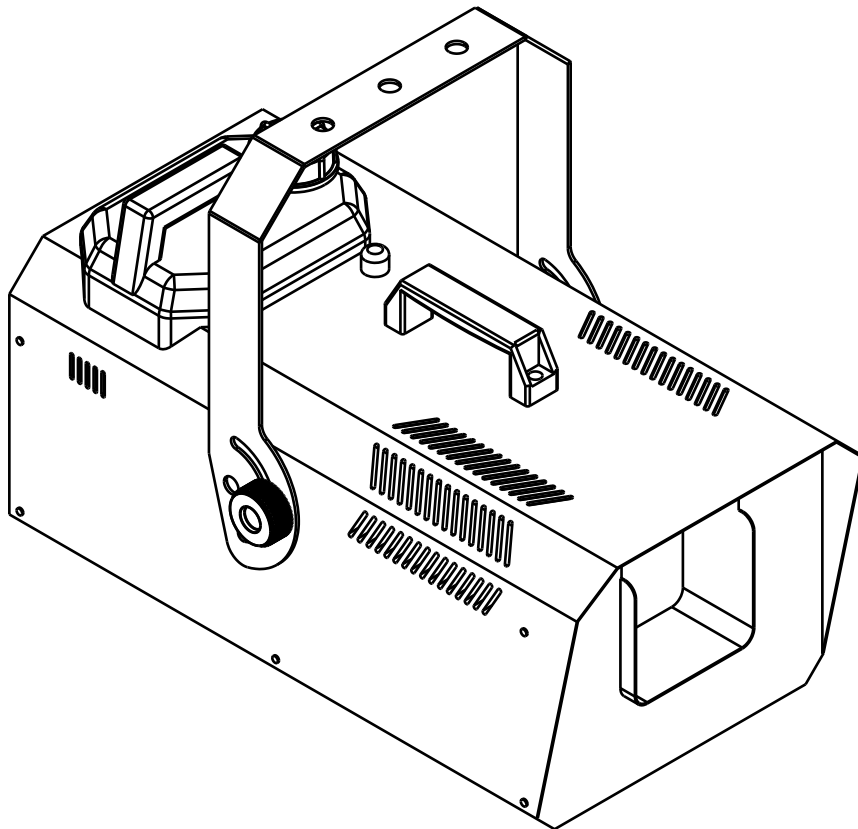


# YETI



## ENGLISH Operation Manual

Other languages can be downloaded from:  
[WWW.JB-SYSTEMS.EU](http://WWW.JB-SYSTEMS.EU)



*Version: 1.0*

**JB SYSTEMS**



### **EN - DISPOSAL OF THE DEVICE**

Dispose of the unit and used batteries in an environment friendly manner according to your country regulations.

### **FR - DÉCLASSER L'APPAREIL**

Débarrassez-vous de l'appareil et des piles usagées de manière écologique Conformément aux dispositions légales de votre pays.

### **NL - VERWIJDEREN VAN HET APPARAAT**

Verwijder het toestel en de gebruikte batterijen op een milieuvriendelijke manier conform de in uw land geldende voorschriften.

### **DU - ENTSORGUNG DES GERÄTS**

Entsorgen Sie das Gerät und die Batterien auf umweltfreundliche Art und Weise gemäß den Vorschriften Ihres Landes.

### **ES - DESHACERSE DEL APARATO**

Reciclar el aparato y pilas usadas de forma ecologica conforme a las disposiciones legales de su país.

### **PT - COMO DESFAZER-SE DA UNIDADE**

Tente reciclar a unidade e as pilhas usadas respeitando o ambiente e em conformidade com as normas vigentes no seu país.

# OPERATION MANUAL

Thank you for buying this JB Systems® product. To take full advantage of all possibilities and for your own safety, please read these operating instructions very carefully before you start using this unit.

## FEATURES

- Powerful 1200W snow machine.
- Produces large amounts of artificial snow flakes.
- Adjustable snow output volume:
  - via the wired remote control (included)
  - via the wireless remote control (included)
- Recommended Fluid: JB Systems Snow Liquid

## BEFORE USE

- Before you start using this unit, please check if there's no transportation damage. Should there be any, do not use the device and consult your dealer first.
- **Important:** This device left our factory in perfect condition and well packaged. It is absolutely necessary for the user to strictly follow the safety instructions and warnings in this user manual. Any damage caused by mishandling is not subject to warranty. The dealer will not accept responsibility for any resulting defects or problems caused by disregarding this user manual.
- Keep this booklet in a safe place for future consultation. If you sell the fixture, be sure to add this user manual.

### Check the contents:

Check that the carton contains the following items:

- Operating instructions
- YETI snow machine
- Hanging bracket + with 2 knobs and 2 rubber rings (put the rings between the bracket and the machine).
- Wired remote controller
- Wireless remote controller
- Wireless remote receiver

## SAFETY INSTRUCTIONS:



**CAUTION**  
RISK OF ELECTRIC SHOCK  
DO NOT OPEN



**CAUTION:** To reduce the risk of electric shock, do not remove the top cover. No user-serviceable parts inside. Refer servicing to qualified service personnel only.



The lightning flash with arrowhead symbol within the equilateral triangle is intended to alert the user or the presence of un-insulated "dangerous voltage" within the product's enclosure that may be of sufficient magnitude to constitute a risk of electric shock.



The exclamation point within the equilateral triangle is intended to alert the user to the presence of important operation and maintenance (servicing) instructions in the literature accompanying this appliance.



This symbol means: indoor use only.



This symbol means: Read instructions.



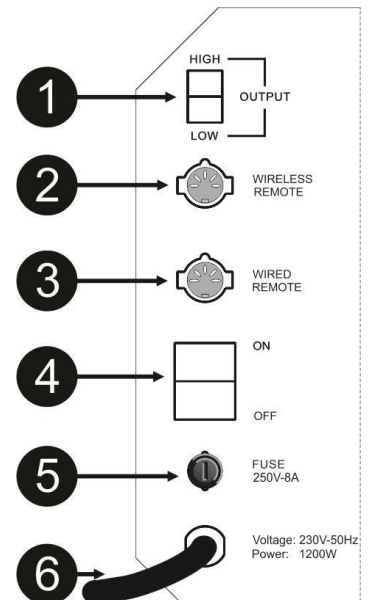
This symbol determines: the minimum distance from objects. The minimum distance between fogger output and objects must be more than 1 meter.

- To protect the environment, please try to recycle the packing material as much as possible.
- To prevent fire or shock hazard, do not expose this appliance to rain or moisture.
- To avoid condensation to be formed inside, allow the unit to adapt to the surrounding temperatures when bringing it into a warm room after transport. Condense sometimes prevents the unit from working at full performance or may even cause damages.
- This unit is for indoor use only.

- Don't place metal objects or spill liquid inside the unit. Electric shock or malfunction may result. If a foreign object enters the unit, immediately disconnect the mains power.
- Locate the unit in a well ventilated spot, away from any flammable materials and/or liquids.
- Don't cover any ventilation openings as this may result in overheating.
- Prevent use in dusty environments and clean the unit regularly.
- Keep the unit away from children.
- Inexperienced persons should not operate this device.
- Maximum safe ambient temperature is 40°C. Don't use this unit at higher ambient temperatures.
- Make sure to always place the unit on a stable surface.
- Always unplug the unit when it is not used for a longer time or before you start servicing.
- Check that the available voltage is not higher than the one stated on the rear panel of the unit.
- The power cord should always be in perfect condition. Switch the unit immediately off when the power cord is squashed or damaged. It must be replaced by the manufacturer, its service agent or similarly qualified persons in order to avoid a hazard.
- Never let the power-cord come into contact with other cables!
- This unit must be earthed in order to comply with safety regulations.
- In order to prevent electric shock, do not open the cover.
- **Never** repair a fuse or bypass the fuse holder. **Always** replace a damaged fuse with a fuse of the same type and electrical specifications!
- In the event of serious operating problems, stop using the unit and contact your dealer immediately.
- The housing must be replaced if it is visibly damaged.
- Please use the original packing when the device is to be transported.
- Due to safety reasons it is prohibited to make unauthorized modifications to the unit.

**DESCRIPTION:**

1. **OUTPUT:** with this knob you can select the speed of the fan.
2. **WIRELESS REMOTE INPUT:** Used to connect the supplied wireless remote control receiver.
3. **WIRED REMOTE INPUT:** Used to connect the supplied wired remote controller.
4. **POWER SWITCH:** Used to switch the power of the unit on/off.
5. **INPUT FUSE:** When the fuse is blown, first locate and solve the problem that caused the fuse to blow. When the problem is solved, replace a damaged fuse with a fuse of the same type and electrical specifications. (250V-8A)
6. **MAINS CABLE:** to be plugged in a mains wall socket with earth connection.



**REMOTE CONTROLLER:**

1. **[OUTPUT] KNOB:** this knob is used to set the output volume.
  - Turn the knob clockwise to increase the output
  - Turn the knob counterclockwise to decrease the output
2. **[POWER] LED:** when the unit is on, this Led will be lit.
3. **[READY] LED:** when the fan is switched on by the on/off button, this LED will be lit.
4. **[ON/OFF] BUTTON:** used to switch the fan on or off



## OPERATING INSTRUCTIONS

- Put the snow machine on a flat and very stable surface.
- Make sure the liquid tank is not empty. Always use good quality snow liquid to fill up the tank. Close the tank immediately to prevent dirt to enter the reservoir!
- Plug the supplied wired remote or the wireless remote receiver in the corresponding remote control input on the back of the unit.
- Make sure to plug the snow machine in a mains wall socket with earth connection
- Switch the snow machine on.

**WARNING: NEVER use the machine with an empty reservoir. This can damage the pump !**

### Used with the supplied wired remote controller:

- Connect the special 5pin connector of the controller to the [WIRED REMOTE] input on the back of the snow machine.
- Use the [ON/OFF] button of the remote controller to start/stop the fan.
- On the back of the unit, you can select the speed of this fan [High] or [Low]
- Use the round button to set the output volume of the pump.

### Used with the supplied wireless remote controller:

- Connect the special 5pin connector of the wireless remote receiver to the [WIRELESS REMOTE] input on the back of the snow machine.
- Fix the remote receiver with its magnetic surface to the snow machine.
- Pull out the antenna of the wireless remote controller.
- This are the functions of the 4 buttons:
  - Button A: Decrease Output Volume (5 steps of 20%)
  - Button B: Fan OFF
  - Button C: Increase Output Volume (5 steps of 20%)
  - Button D: Fan ON
- To produce artificial snow, fan + pump volume should be both on



## OVERHEAD RIGGING

- **Important:** The installation must be carried out by qualified service personal only. Improper installation can result in serious injuries and/or damage to property. Overhead rigging requires extensive experience! Working load limits should be respected, certified installation materials should be used, the installed device should be inspected regularly for safety.
- Make sure the area below the installation place is free from unwanted persons during rigging, de-rigging and servicing.
- Locate the fixture in a well ventilated spot, far away from any flammable materials and/or liquids.
- The device should be installed out of reach of people and outside areas where persons may walk by or be seated.
- Before rigging make sure that the installation area can hold a minimum point load of 10times the device's weight.
- Always use a certified safety cable that can hold 12 times the weight of the device when installing the unit. This secondary safety attachment should be installed in a way that no part of the installation can drop more than 20cm if the main attachment fails.
- The device should be well fixed; a free-swinging mounting is dangerous and may not be considered!
- Don't cover any ventilation openings as this may result in overheating.
- The operator has to make sure that the safety-relating and machine-technical installations are approved by an expert before using them for the first time. The installations should be inspected every year by a skilled person to be sure that safety is still optimal.

## MAINTENANCE

### IMPORTANT:

Clean the machine after use and before long term storage.

- Empty the tank or replace it by an empty spare tank.
- To remove the deposit in a tank, rinse it with distilled water including 20% of white vinegar. Don't run the machine with this vinegar solution !
- When the tank is clean, fill it up with distilled water and activate the machine. This will remove the remaining snow fluid from the internal circuit and the pump.

### During inspection the following points should be checked:

- All screws used for installing the device and any of its parts should be tightly fastened and may not be corroded.
- Housings, fixations and installations spots (ceiling, truss, suspensions) should be totally free from any deformation.
- The mains cables must be in impeccable condition and should be replaced immediately when even a small problem is detected.

**Attention: We strongly recommend internal cleaning to be carried out by qualified personnel!**

## SPECIFICATIONS

This unit is radio-interference suppressed. This product meets the requirements of the current European and national guidelines. Conformity has been established and the relevant statements and documents have been deposited by the manufacturer.

This device has been designed to produce decorative effect lighting and is used in light show systems.

<b>Mains Input:</b>	AC 230V, 50Hz
<b>Power consumption:</b>	1200 Watt
<b>DMX Channels:</b>	No DMX on board
<b>Fuse:</b>	T8A/250V (slow blow 6x30mm)
<b>Tank size:</b>	5 L
<b>Recommended Fluid:</b>	JB Systems Snow Liquid
<b>Size:</b>	530 x 260 x 320 mm (without hanging bracket)
<b>Weight:</b>	8.70 kg

**All the information is subject to change without prior notice**

**You can download the latest version of this user manual on our website: [www.jb-systems.eu](http://www.jb-systems.eu)**





**JB SYSTEMS**

## **MAILING LIST**

**EN: Subscribe today to our mailing list for the latest product news!**

**FR: Inscrivez-vous à notre liste de distribution si vous souhaitez suivre l'actualité de nos produits!**

**NL: Abonneer je vandaag nog op onze mailinglijst en ontvang ons laatste product nieuws!**

**DE: Abonnieren Sie unseren Newsletter und erhalten Sie aktuelle Produktinformationen!**

**ES: Suscribete hoy a nuestra lista de correo para recibir las últimas noticias!**

**[WWW.JB-SYSTEMS.EU](http://WWW.JB-SYSTEMS.EU)**

**Copyright © 2016 by BEGLEC NV**

t Hofveld 2C ~ B1702 Groot-Bijgaarden ~ Belgium

Reproduction or publication of the content in any manner, without express permission of the publisher, is prohibited.