

e 914 High grade pre-polarized condenser microphone for ambitious recordings and live performances

FEATURES

- Exceptionally lively, clear sound
- Three-position sensitivity switch
- Three-position bass roll-off/cut-off switch
- Very high sound pressure handling capability
- Exchangeable capsule
- Excellent directivity across the whole frequency range
- Wide frequency response

The **e 914** is a high grade condenser microphone for very demanding applications. Its outstanding sound properties qualify the e 914 for highly sophisticated tasks. The e 914 is a perfect microphone for ambitious recordings and live performances. Its main areas of application are acoustic guitars, cymbals, percussion, overhead, orchestras, grand pianos etc.



ARCHITECT'S SPECIFICATIONS

The microphone shall be a cardioid pre-polarized condenser designed for ambitious recordings and live performances. It shall be fitted with a three-position sensitivity switch (0 dB, -10 dB, -20 dB) and a three-position bass roll-off/cut-off switch (roll-off: 130 Hz with 6 dB/octave, cut-off: 85 Hz with 18 dB/octave). The frequency response shall be 20 Hz – 20,000 Hz and the sensitivity (free field, no load) shall be 7 mV/P at 1 kHz. Nominal impedance shall be 100 Ω, with a min. terminating impedance of 1 kΩ. Equivalent noise level shall be 19 dB(A). Maximum SPL at 1 kHz shall be 137 dB with 0 dB preattenuation, 147 dB with -10 dB preattenuation or 157 dB with -20 dB preattenuation. The microphone shall operate on 48 V phantom power and shall provide a 3-pin XLR connector. Dimensions shall be 24 x 157 mm (0.94" x 6.18"). Weight shall be 198 grams (6.98 oz). The microphone shall be the Sennheiser e 914.

TECHNICAL DATA

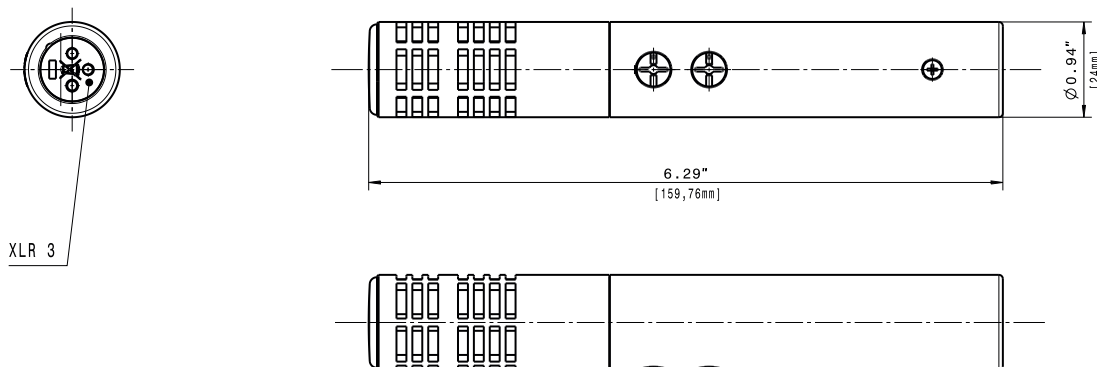
Transducer principle	pre-polarized condenser microphone
Pick-up pattern.....	cardioid
Frequency response	20.....20,000 Hz
Sensitivity (free field, no load at 1 kHz)	7 mV/Pa
Nominal impedance.....	100 Ohm
Min. terminating impedance.....	1000 Ohm
Equivalent noise level	19 dB(A)
Preattenuation	0, -10, -20 dB
Bass filter	linear
	roll-off 130 Hz, 6 dB/oct.
	cut-off 85 Hz, 18 dB/oct.
Max. sound pressure level (active).....	137, 147, 157 dB
Phantom powering.....	48 V/2.2 mA
Connector.....	XLR-3
Dimensions.....	24 x 157 mm
Weight.....	198 g

DELIVERY INCLUDES

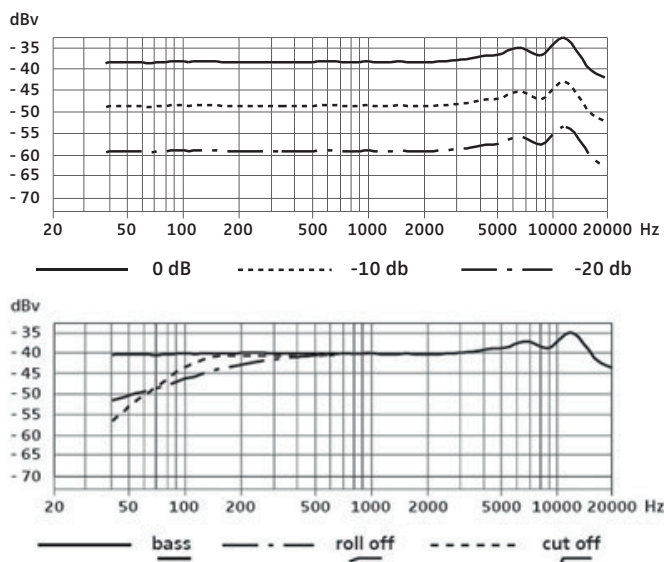
- 1 e 914
- 1 microphone clamp
- 1 pouch
- Instructions for use

High grade pre-polarized condenser microphone e 914 for ambitious recordings and live performances

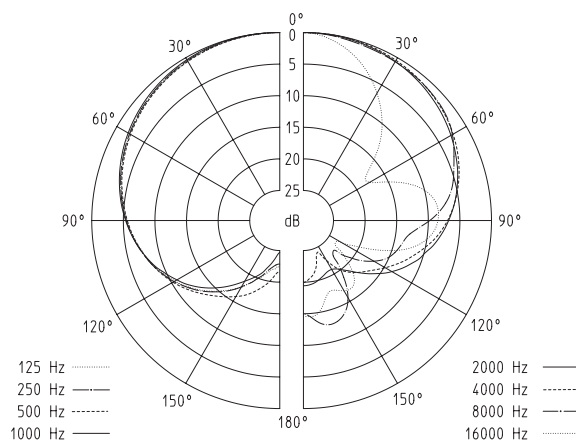
DIMENSIONS



FREQUENCY RESPONSE



POLAR PATTERN



RECOMMENDED ACCESSORIES

MZQ 100 – resilient quick release stand
 adapter for 19–23mm (~3/4"– 7/8") diameter
 microphones and e 609 Cat. No. 002155

Sennheiser electronic GmbH & Co. KG
 Am Labor 1, 30900 Wedemark, Germany
www.sennheiser.com

SENNHEISER