

# e 965

Handheld vocal microphone with true condenser capsule in large-diaphragm technology

## FEATURES

- Switchable pick-up pattern (cardioid/super-cardioid)
- Low cut switch
- Switchable preattenuation (-10 dB)
- Highly effective, integral acoustic pop and windshield
- Effective protection against moisture
- Shock-mounted capsule provides excellent suppression of handling noise

The **e 965** is Sennheiser's first large-diaphragm, true condenser handheld microphone. The innovative 1" dual-diaphragm capsule means you can access both cardioid and super-cardioid polar patterns with the flip of a switch. Ideal for every vocal application, the e 965 truly combines the sensitivity of a world-class studio condenser with the ruggedness our customers demand from a Sennheiser evolution stage microphone.



## ARCHITECT'S SPECIFICATIONS

The vocal microphone shall be an externally polarized large dual-diaphragm AF condenser with a switchable pick-up pattern (cardioid/super-cardioid). It shall have a rugged metal body and a shock-mounted capsule and shall be fitted with a low cut switch and a sensitivity switch (0 dB, -10 dB). The frequency response shall be 40 Hz-20,000 Hz. The sensitivity (free field, no load) shall be 7 mV/Pa at 1 kHz or 2.3 mV/Pa at 1 kHz with preattenuation. Nominal impedance shall be 50 Ω, with a min. terminating impedance of 1 kΩ. Maximum SPL shall be 142 dB or 152 dB with preattenuation. Equivalent noise level shall be 21 dB. The microphone shall operate on 48 V phantom power and shall provide a 3-pin XLR connector. Operating temperature shall range from 0°C-40°C (32°F-104°F). Dimensions shall be 48 x 199 mm (1.89" x 7.83"). Weight shall be 396 grams (13.97 oz). The microphone shall be the Sennheiser e 965.

## TECHNICAL DATA

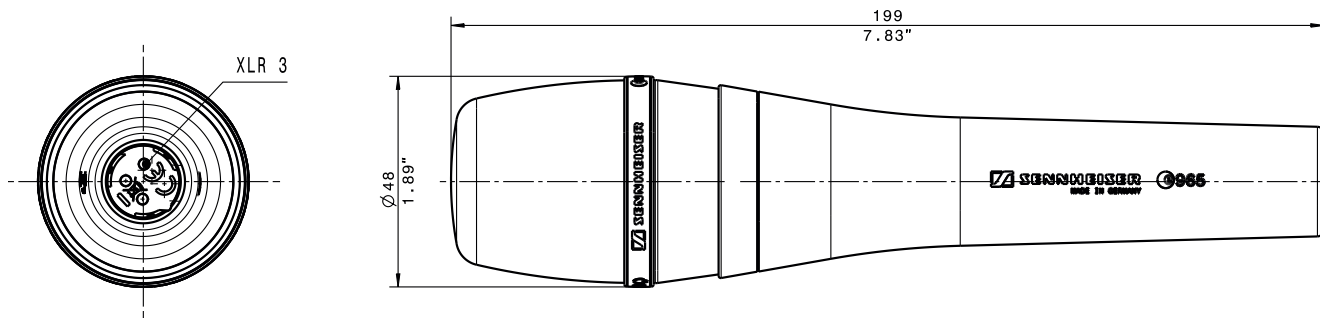
Transducer principle .....	externally polarized dual diaphragm AF condenser microphone
Diameter of diaphragm .....	25.4 mm/1"
Pick-up pattern.....	cardioid/super-cardioid, switchable
Frequency response .....	40 – 20,000 Hz
Sensitivity (free field, no load at 1 kHz) .....	7 mV/Pa (2.3 mV/Pa) (with preattenuation)
Nominal impedance.....	50 Ω
Min. terminating impedance .....	1 kΩ
Maximum sound pressure level (passive) .....	142 dB (152 dB) (with preattenuation)
Equivalent noise level .....	21 dB
Phantom powering .....	48 V/ 3.5 mA
Connector.....	XLR-3
Operating temperature .....	0°C – +40°C
Diameter .....	48 mm
Overall depth.....	199 mm
Weight .....	396 g

## DELIVERY INCLUDES

- 1 e 965
- 1 MZQ 800 microphone clamp
- 1 pouch
- Instructions for use

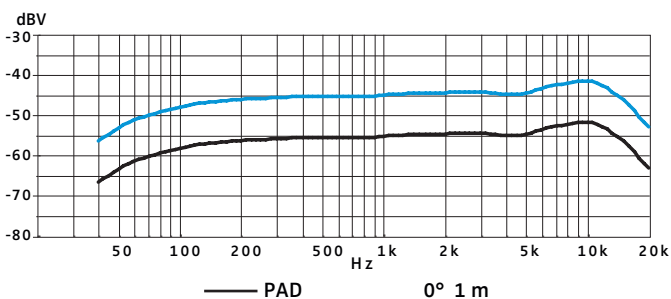
# e 965 Handheld vocal microphone with true condenser capsule in large-diaphragm technology

## DIMENSIONS

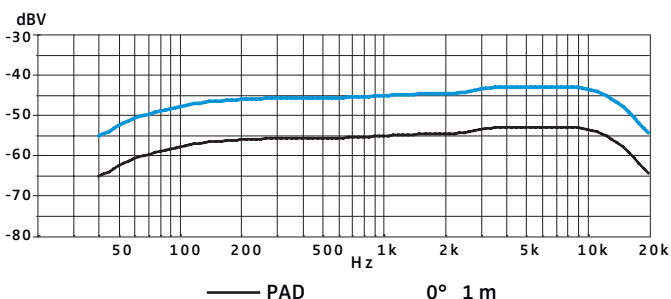


## FREQUENCY RESPONSE

Niere

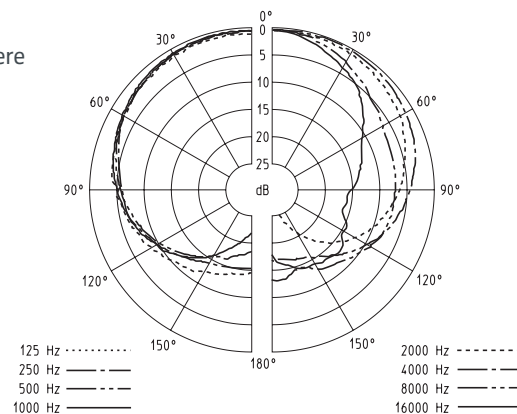


Superniere

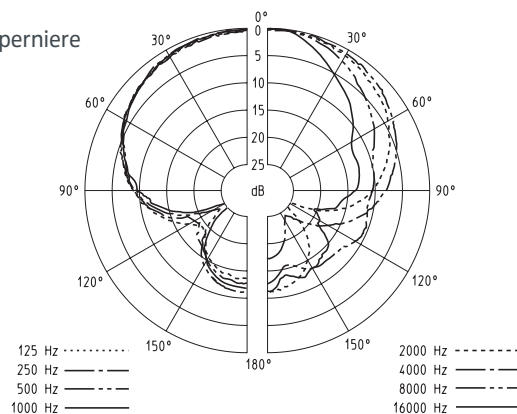


## POLAR PATTERN

Niere



Superniere



## RECOMMENDED ACCESSORIES

MZQ 800 – universal stand adapter clip for most Evolution handheld wired microphones Cat. No. 004711

Sennheiser electronic GmbH & Co. KG  
Am Labor 1, 30900 Wedemark, Germany  
www.sennheiser.com

**SENNHEISER**