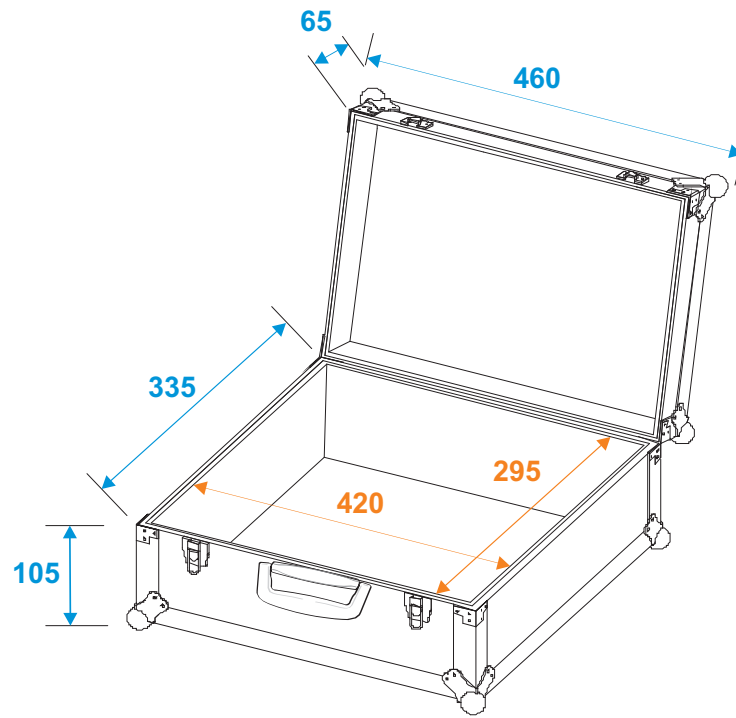




Flightcase

30126205 Universal case FOAM,



*all dimensions in millimeters

