



Digital Vertical Array

DVA bass bins are loaded with state-of-the-art, **high-performance subwoofers**.

Equipped with powerful woofers with voice coils with diameters up to 4", these units' load **handling capacity is extremely high, and their transient response is remarkably faithful**.

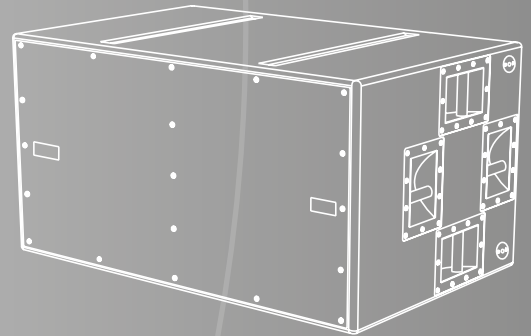
The **dual ventilation system** minimizes heat buildup and power compression while helping to maximize loading handling capacity and reliability.

The woofers feature a fiberglass-reinforced diaphragm, an exceedingly robust triple-roll surround, and a geometrically optimized cone. All this culminates in **peak-to-peak excursion capabilities ranging up to 48 mm**.

SUBWOOFER

Full of Technology

- VARIABLE CROSSOVER FREQUENCIES
- PRECISE LIMITER FUNCTIONS
- ON BOARD DELAY FOR PERFECT TIME ALIGNMENT
- PRESET FOR CONFIGURING CARDIOID SYSTEMS
- SETTINGS ACCESSIBLE VIA A ROTARY ENCODER
- X-OVER OUT
- RDNET NETWORK PORT



dBTechnologies

High Performance Subwoofer Systems

These subwoofers are driven by **digipro®G2** digital power amps with up to 3000W output. Digipro®G2 technology is so very efficient that it does not require fans. With no moving parts to tend to, these amps are altogether maintenance-free.

Equipped with **PFC switched-mode power supplies**, they are largely impervious to line voltage fluctuations, which is a tremendous asset in a touring rig.

Our network-enabled DVA subwoofers are designated by an “N” in the product name. **They feature a premium-quality DSP boasting excellent audio specs with variable crossover frequencies, precise limiter functions and adjustable delay settings for perfect time alignment.**

A special preset makes it easy to set up cardioid systems with enhanced directivity. Settings are readily adjusted using the rear-mounted rotary encoder. **The DSP also provides an X-Over output for connecting satellites (in stereo on S08 and S09 units).**

Factory-equipped with an **RDnet port**, these subwoofers are ready for integration into elaborate, remotely controlled and monitored DVA T12 sound reinforcement systems via RJ45 inputs and outputs that connect the units to the RDnet hub.

Made of sturdy birch multiplex covered in robust black textured lacquer, the subwoofer housing is fronted with a rugged speaker grille. The enclosure is easy to tote with its comfortable carrying handles.

Optional dust covers protect it on the go. With 16 threaded bushings each on their rear panels, the S09, S10, S30N, S1518N, 1521N and S20 bins are ready to accept Blue Wheels. Retrofitted with the appropriate fly kit, S09, S10, 1518N and 2585N subwoofers are easily rigged and flown.

- **High-performance bass woofers**
- **High-performance digipro®G2 Class-D power amp**
- **High-quality DSP and RDnet**
- **Built tough for touring**



DVA S30N Subwoofer, 2x18" Bassreflex Horn Loaded

Featuring a dual 18" subwoofer pairing in a bass reflex housing, the DVA S30 packs a muscular, ultra lowfrequency punch.

It delivers very powerful performance indeed with a range extending down to the lowest frequencies.

This sub-bass powerhouse is the perfect addition to large PAs and an excellent complement to DVA T12 mid-/high-range units in stacked arrays.

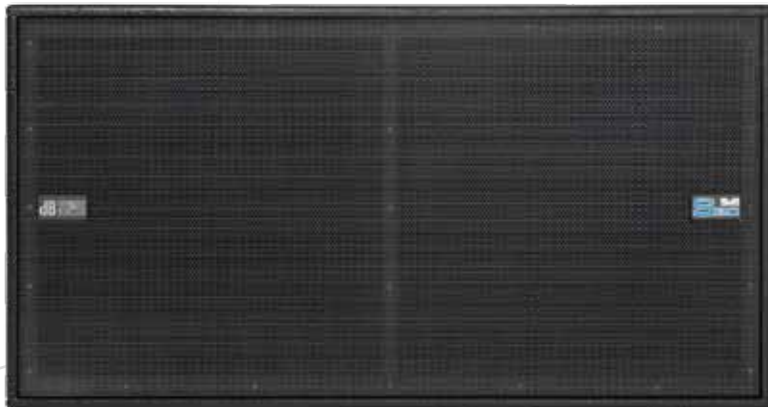
Bass reflex horn housing

This **sophisticated hybrid design** brings together the benefits of bass reflex and horn systems in a compact housing engineered to render low frequencies with high SPL.

The two baffle boards are arrayed in the form of a V. They guide the central bass reflex channel's sound energy into the horn's port. This funneling action is smooth and uniform, greatly increasing its range.

The **high-quality birch** multiplex housing is covered in robust black textured lacquer and equipped with eight grips.

On the back is a transport dolly that removes easily via quick-release pins to keep the wheels from rattling.



DVA S30 N

Technical Data

Speaker Type: Active Bassreflex-Horn Subwoofer

Acoustical data

Frequency Response [+/- 3dB]: 30 - 120 Hz

Max SPL: 141 dB

Directivity: Omnidirectional, Cardioid Option with DSP setup

LF: 2x18"

Voice Coil LF: 4"

Amplifier

Amp Technology: Digipro® G2

Amp Class: Class D

Power Supply: 3 kW SMPS

LF Amp: 3000 W RMS

Cooling: Convection

Processor

Controller: DSP 56 bit

AD/DA Converter: DSP 24 bit/48 kHz

System Presets: X-Over, Delay

Phase: 0, 180°

Limiter: RMS, Peak, Thermal

Delay Option: 0-4.5 ms internal

Crossover Frequency LF-MF: 75-120Hz |steps of 5Hz

LF-Xover out slope: 24 dB/Octave

Mechanics

Housing: Multiplex birch plywood

Housing Design: Rectangular

Handles: 4x Per Side

Accessory: Dolly, Wheels 100mm, Dust Cover, Rain Cover

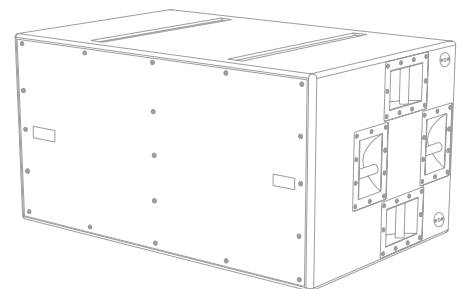
Rigging Points: 2xPick Points on top to fix DRK10/20 rigging frames

Width: 1100 mm (44 in)

Height: 580 mm (23.2 in)

Depth: 720 mm (28.8 in)

Weight: 83 kg (182.98 lbs)





DVA S1521 N

Technical Data

Speaker Type: Active Bassreflex-Subwoofer

Acoustical data

Frequency Response [+/- 3dB]: 30 - 105 Hz

Max SPL: 139 dB

Directivity: Omnidirectional, Cardioid Option with DSP setup

LF: 21"

Voice Coil LF: 4.5"

Amplifier

Amp Technology: Digipro® G2

Amp Class: Class D

Power Supply: 1.5 kW SMPs

LF Amp: 1500 W RMS

Cooling: Convection

Processor

Controller: DSP 56 bit

AD/DA Converter: 24bit/96 kHz

System Presets: X-Over, Delay

Phase: 0, 180°

Limiter: RMS, Peak, Thermal

Delay Option: 0-4.5 ms internal

Crossover Frequency LF-MF: 60-105Hz |steps of 5Hz

LF-Xover out slope: 24 dB/Octave

Mechanics

Housing: Multiplex birch plywood

Housing Design: Rectangular

Handles: 3x Per Side

Accessory: Dolly, Wheels 100mm,
Dust Cover, Rain Cover

Pole Mount: M20

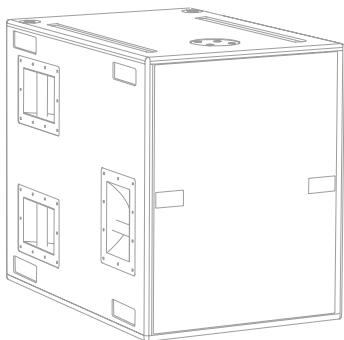
Rigging Points: 2xPick Points on top to fix
DRK10/20 rigging frames

Width: 580 mm (23.2 in)

Height: 800 mm (32 in)

Depth: 720 mm (28.8 in)

Weight: 52.5 kg (115.74 lbs)



DVA S1521N Subwoofer, 21" Bassreflex

The DVA S1521N is a powered 21" subwoofer housed in a bass reflex enclosure that we tuned for accurate, ultra low-frequency response.

It readily integrates into large DVA and DVX Series PA systems as a sub-bass unit or as a stacked subwoofer.

Made of durable birch multiplex housing covered in robust black textured lacquer, the high-quality housing provides six carrying handles, an M20 pole mount, and bushings on the rear panel that accept casters. Pick-points for attaching DRK-10 and DRK-20 harnesses are built into the top panel to enable easy, safe stacking.

Top-notch 21" woofer

Serving as the unit's transducer is a **state-of-the-art 21" woofer with 4.5" voice coil.**

This combination of high-quality materials and sophisticated magnetic drivers fields some pretty impressive results.

Even very low bass frequencies are rendered with pinpoint precision and hairtrigger transient response, treating audiences to a breathtaking audio experience.





DVA S1518N Subwoofer, 18", Bandpass

The DVA S1518N is a bandpass subwoofer based on the DVA S10, but with 50 percent higher power amp output, an integrated DSP, and an RDnet link.

A remarkably versatile subwoofer, it delivers tight and punchy bass response that supports and transitions smoothly to satellites' lower midrange frequencies.

The DVA S1518N is equipped with a next-generation, 18" woofer driven by a built-in 1500W digipro® G2 digital power amp.

Subwoofer arrays are easily flown using the optional SRK10 rigging hardware retrofit.

The S1518N will also serve you well in compact stacks paired with DVA T12, T8 and T4 units or DVX Series enclosures.



DVA S1518 N

Technical Data

Speaker Type: Active Bandpass Subwoofer

Acoustical data

Frequency Response [+/- 3dB]: 39 - 120 Hz

Max SPL: 138 dB

Directivity: Omnidirectional, Cardioid Option with DSP setup

LF: 18 "

Voice Coil LF: 4 "

Amplifier

Amp Technology: Digipro® G2

Amp Class: Class D

Power Supply: 1.5 kW SMPS

LF Amp: 1500 W RMS

Cooling: Convection

Processor

Controller: DSP 56 bit

AD/DA Converter: 24bit/96 kHz

System Presets: X-Over, Delay

Phase: 0, 180 °

Limiter: RMS, Peak, Thermal

Delay Option: 0-4.5 ms internal

Crossover Frequency LF-MF: 75-120Hz |steps of 5Hz

LF-Xover out slope: 24 dB/Octave

Mechanics

Housing: Multiplex birch plywood

Housing Design: Rectangular

Handles: 3x Per Side

Accessory: Dolly, Wheels 100mm, Dust Cover, Rain Cover

Pole Mount: M20

Rigging Points: integrated for SRK10 fly kit

2xPick Points on top to fix

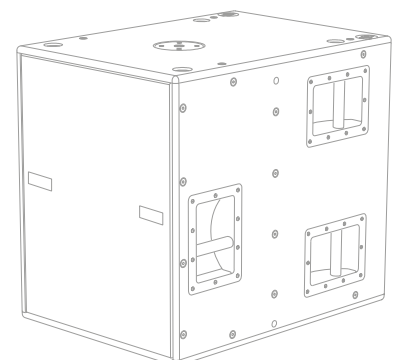
DRK10/20 rigging frames

Width: 515 mm (20.6 in)

Height: 640 mm (25.6 in)

Depth: 720 mm (28.8 in)

Weight: 46 kg (101.41 lbs)





DVA S2585 N

Technical Data

Speaker Type: Active Cardioid-Subwoofer

Acoustical data

Frequency Response [+/- 3dB]: 35 - 120 Hz

Max SPL: 140 dB

Directivity: Cardioid

LF: 18"+15"

Voice Coil LF: 4"

Amplifier

Amp Technology: Digipro® G2

Amp Class: Class D

Power Supply: 2.5 kW SMPS

LF Amp: 2500 W RMS

Cooling: Convection

Processor

Controller: DSP 56 bit

AD/DA Converter: 24bit/ 96 kHz

System Presets: X-Over, Delay

Phase: 0, 180°

Limiter: RMS, Peak, Thermal

Delay Option: 0-4.5 ms internal

Crossover Frequency LF-MF: 75-120Hz |steps of 5Hz

LF-Xover out slope: 24 dB/Octave

Mechanics

Housing: Multiplex birch plywood

Housing Design: Rectangular

Handles: 3x Per Side

Accessory: Dolly, Dust Cover, Rain Cover

Pole Mount: M20

Rigging Points: integrated for SRK10 fly kit

2xPick Points on top to fix
DRK10/20 rigging frames

Width: 515 mm (20.6 in)

Height: 640 mm (25.6 in)

Depth: 1000 mm (40 in)

Weight: 65 kg (143.3 lbs)



DVA S2585N Subwoofer, 18"+ 15", Cardioid

The DVA S2585N is a compact subsystem featuring a cardioid layout designed for utmost directivity.

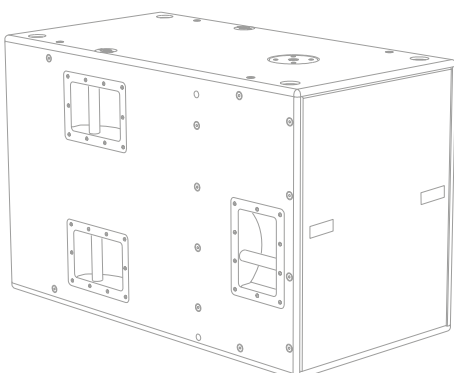
The system consists of two separate chambers, one loaded with a forward facing 18" woofer and another with a rearward facing 15" woofer. The integrated digipro®G2 digital power amps provide 2500W total output power. The high-quality DSP filters signals and controls the speakers to deliver a remarkably authentic audio image and faithful transient response.

The housing is ready to fly with the optional SRK10 Rigging Kit is all it takes to put up flown cardioid sub arrays.

Cardioid- Design

Many systems lack low-frequency directivity and, as a result, are plagued by interference and annoying noise.

The S2585N, in contrast, was engineered specifically for enhanced low-frequency directivity. And it not only sounds great, it is also easy to handle and transport.





DVA S20DP Subwoofer, 2 x 18" Bassreflex

Featuring a dual 18" subwoofer pairing in a bass reflex housing, the DVA S20 delivers powerful performance, rendering frequencies as low as 25 hertz assertively and with impressive authority.

It is the perfect sub-bass provider for DVA S10/T4 systems and an excellent complement to DVA T4 mid-/high-range units in stacked arrays.

Thanks to the integrated Quick-Release-Pins, both DRK-10 and DRK-20 frames can be easily mounted to set up a ground stacked system.

DVA S20 DP

Technical Data

Speaker Type: Active Bassreflex Subwoofer

Acoustical data

Frequency Response [+/- 3dB]: 35 - 120 Hz

Max SPL: 138 dB

Directivity: Omnidirectional, Cardioid Option with SDD Module

LF: 2x18"

Voice Coil LF: 4"

Amplifier

Amp Technology: Digipro®

Amp Class: Class D

LF Amp: 2000 W RMS

Cooling: Convection

Processor

Controller: Analog

Phase: 0, 180°

Limiter: RMS, Peak, Thermal

Delay Option: SDD Module

Crossover Frequency LF-MF: 90, 120 Hz

LF-Xover out slope: 24 dB/Octave

Mechanics

Housing: Multiplex birch plywood

Housing Design: Rectangular

Handles: 4x Per Side

Accessory: Wheels 100mm, Dust Cover

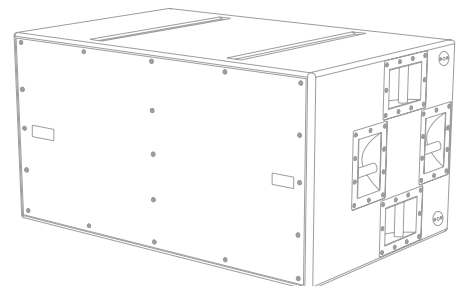
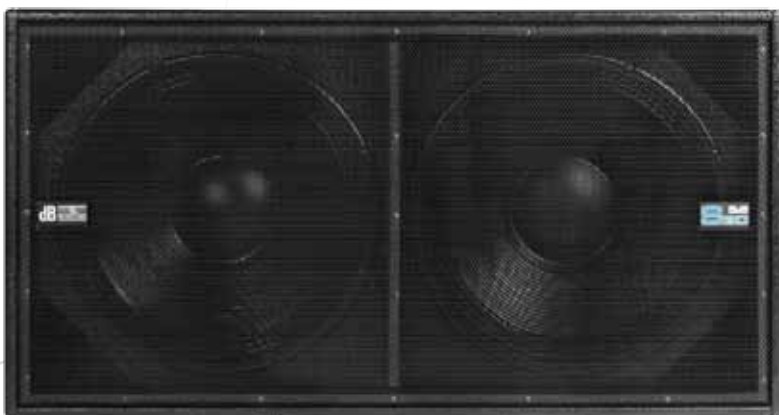
Rigging Points: 2xPick Points on top to fix DRK10/20 rigging frames

Width: 1100 mm (44 in)

Height: 580 mm (23.2 in)

Depth: 720 mm (28.8 in)

Weight: 84 kg (185.19 lbs)





DVA S10 DP

Technical Data

Speaker Type: Active Bandpass Subwoofer

Acoustical data

Frequency Response [+/- 3dB]: 40 - 120 Hz

Max SPL: 136 dB

Directivity: Omnidirectional, Cardioid Option with SDD Module

LF: 18 "

Voice Coil LF: 4 "

Amplifier

Amp Technology: Digipro®

Amp Class: Class D

LF Amp: 1000 W RMS

Cooling: Convection

Processor

Controller: Analog

Phase: 0, 180 °

Limiter: RMS, Peak, Thermal

Delay Option: SDD Module

Crossover Frequency LF-MF: 90, 120 Hz

LF-Xover out slope: 24 dB/Octave

Mechanics

Housing: Multiplex birch plywood

Housing Design: Rectangular

Color: Black, White

Handles: 3x Side

Pole Mount: 1x M20

Rigging Points: integrated for SRK10 fly kit

2x Pick Points on top to fix

DRK10/20 rigging frames

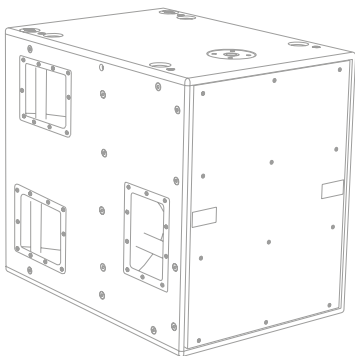
Accessory: Wheels 100mm, Dust Cover, Rain Cover

Width: 515 mm (20.6 in)

Height: 640 mm (25.6 in)

Depth: 720 mm (28.8 in)

Weight: 48 kg (105.82 lbs)



DVA S10DP Subwoofer, 18" Bandpass

The bandpass subwoofer DVA S10 is equipped with a single 18" woofer of the newest generation, driven by a 1000W digitalpower amp.

Using the optionally available flyware, up to two DVA S10DP can be flown mounted to the DRK-10 rigging kit.

Further the DVA S10 can be used as a compact PA system together with either 3x DVA T4 on a speaker pole or 2x DVA S10 and 4-6 DVA T4 as a Groundstack.

Cardioid setup with the SDD module

A cardioid setup comprising the SDD module and two or three DVA S10 subwoofers on each side keeps levels down on stage and affords you far greater control over low-frequency coverage in the audience area.

Never before has this innovative solution – which until today required much greater effort and more elaborate gear – been so easy to achieve with such professional results.





DVA S09 Subwoofer.

A remarkably compact 15" subwoofer in a band-pass design, the DVA S09 DP delivers true, tight, and punchy bass response. With a height of just 44 cm, it can be flown above DVA T4 modules to keep the rig's footprint inconspicuous.

The S09 comes with two features that make it the perfect base for a high-quality satellite system, for example, when paired with the DVX D10. One is an integrated active stereo crossover with two cutoff frequencies to choose from, 90Hz and 120Hz. The other is a phase inversion switch. One PowerCon socket connects to the mains power supply, while two PowerCon outputs connect satellites.

SRK-09 Fly Kit

Retrofitted with the optional SRK-09 fly kit, the DVA S09 DP subwoofer is easily rigged to a DRK-10 harness and flown alongside further DVA T4 mid-/high-range units.

DVA S09 DP

Technical Data

Speaker Type: Active Bandpass Subwoofer

Acoustical data

Frequency Response [+/- 3dB]: 45 - 120 Hz

Max SPL: 134 dB

Directivity: Omnidirectional

LF: 15 "

Voice Coil LF: 4 "

Amplifier

Amp Technology: Digipro®

Amp Class: Class D

LF Amp: 1000 W RMS

Cooling: Convection

Processor

Controller: Analog (Stereo)

Phase: 0, 180 °

Limiter: RMS, Peak, Thermal

Delay Option: NO

Crossover Frequency LF-MF: 90, 120 Hz

LF-Xover out slope: 24 dB/Octave

Mechanics

Housing: Multiplex birch plywood

Housing Design: Rectangular

Color: Black, White

Handles: 2x Side

Pole Mount: 1x M20

Rigging Points: 2xPick Points on top to fix DRK10/20 rigging frames

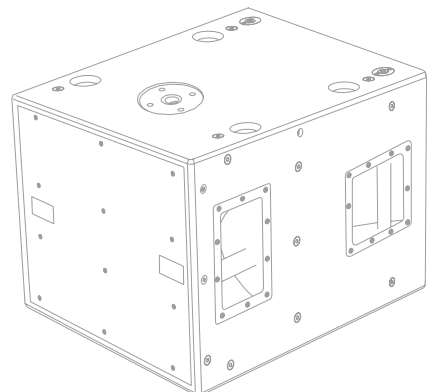
Accessory: Wheels 100mm, Dust Cover, Rain Cover

Width: 515 mm (20.6 in)

Height: 440 mm (17.6 in)

Depth: 720 mm (28.8 in)

Weight: 37.5 kg (82.67 lbs)





DVA S08

Technical Data

Speaker Type: Active Bassreflex Subwoofer

Acoustical data

Frequency Response [+/- 3dB]: 40 - 150 Hz

Max SPL: 131 dB

Directivity: Omnidirectional

LF: 12 "

Voice Coil LF: 3 "

Amplifier

Amp Technology: Digipro®

Amp Class: Class D

LF Amp: 800 W RMS

Cooling: Convection

Processor

Controller: Digital + Analog (Stereo)

Phase: 0, 180 °

Limiter: RMS, Peak, Thermal

Delay Option: NO

Crossover Frequency LF-MF: 90, 120 Hz

LF-Xover out slope: 24 dB/Octave

Mechanics

Housing: Multiplex birch plywood

Housing Design: Rectangular

Handles: 1x on top

Pole Mount: 2x M20

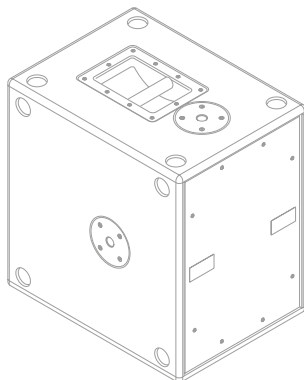
Accessory: Dust Cover

Width: 360 mm (20.8 in)

Height: 520 mm (14.4 in)

Depth: 500 mm (20 in)

Weight: 23 kg (50.71 lbs)



S08 Subwoofer.

The DVA S08 dp is a remarkably compact 12" high power active bassreflex subwoofer for professional applications and to satisfy upmarket requirements.

It delivers a high momentum and at the same time reproduces a punchy low end. Equipped with a 800W/RMS digipro® digital power amp including switch mode supply, this unit provides a high sound pressure level of up to 131dB. Furthermore there is a powercon in- and out for mains connection.

