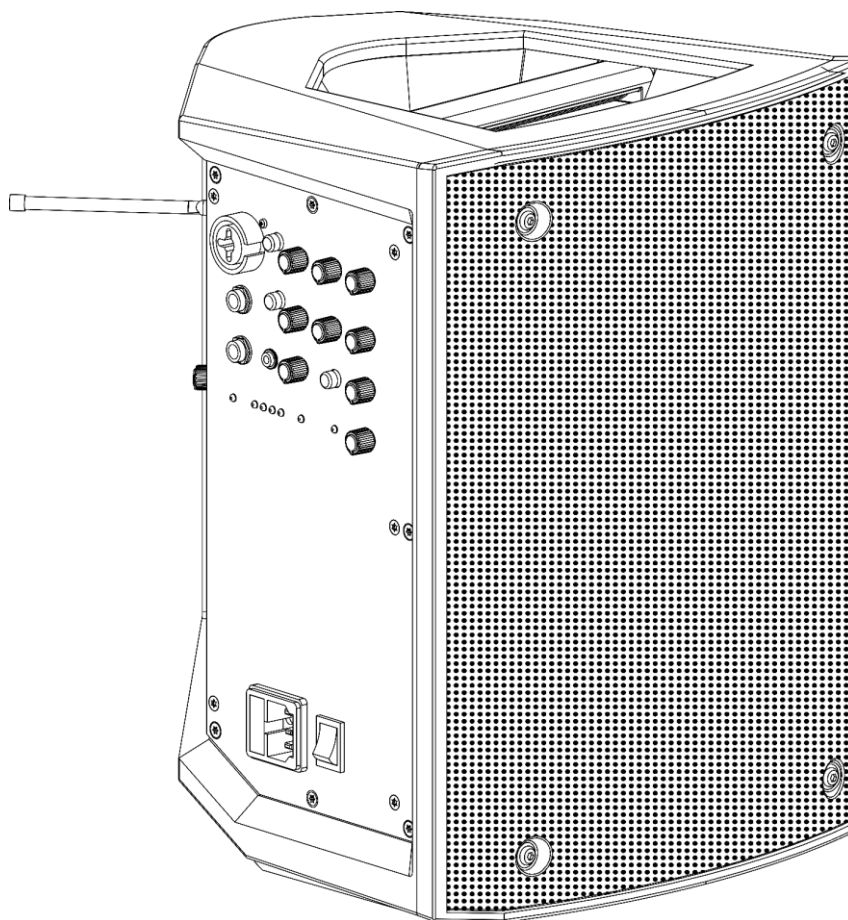


DAP

USER MANUAL



ENGLISH

PSS-106 Battery Speaker

V1

Product code: D2612/D2613

Table of contents

1. Description of the Device	3
1.1. PSS-106.....	3
1.2. Wireless Microphone (only in D2613).....	3
1.3. 3-channel Mixer.....	4
1.4. Wireless Microphone Receiver.....	5
1.5. Media Player.....	5
1.6. Product Specifications.....	6
1.7. Optional Accessories.....	7
1.8. Dimensions.....	7
2. Installation	7
2.1. Safety Instructions for Installation.....	7
2.2. Personal Protective Equipment.....	7
2.3. Installation Site Requirements.....	8
2.4. Mounting Options.....	8
2.5. Charging the Battery.....	9
2.6. Installation of the Batteries (Wireless Microphone).....	9
3. Setup	10
3.1. Safety Instructions for Operation.....	10
3.2. Switching the PSS-106 On/Off.....	10
3.3. Switching the Microphone On/Off.....	10
3.4. Muting the Microphone.....	10
3.5. Connecting the Microphone to the Receiver.....	10
3.6. Pairing Mobile Devices with the Receiver via Bluetooth.....	11
3.7. Setup Examples.....	11
3.7.1. PSS-106 and External Devices.....	11
3.7.2. Multiple PSS-106.....	12
4. Operation	13
4.1. Safety Instructions for Operation.....	13
4.2. Start-up.....	13
4.3. LED Statuses.....	13
4.4. Battery Statuses.....	14
4.5. 3-channel Mixer.....	14
4.5.1. Adjusting Bass/Treble/Volume.....	14
4.5.2. Adjusting Master Volume.....	14
4.5.3. Adjusting Reverb.....	14
4.5.4. Adjusting Media Player Volume.....	14
4.5.5. Setting Voice Priority.....	15
4.5.6. Connecting Devices.....	15
4.6. Wireless Microphone Receiver.....	15
4.6.1. Selecting Channels.....	15
4.6.2. Adjusting Microphone Signal Volume.....	15
4.7. Media Player.....	16
4.7.1. Connecting Auxiliary Signal Sources.....	16
4.7.2. Control Modes.....	16
4.7.2.1. Aux Mode.....	16
4.7.2.2. MP3 Mode.....	16
4.7.2.3. Bluetooth Mode.....	17
5. Troubleshooting	17
6. Maintenance	18
6.1. Preventive Maintenance.....	18
6.1.1. Basic Cleaning Instructions.....	18
6.2. Corrective Maintenance.....	18

7. Deinstallation, Transportation and Storage 18
7.1. Instructions for Deinstallation.....18
7.2. Instructions for Transportation18
7.3. Storage.....19

8. Disposal 19

9. Approval 19

1. Description of the Device

The DAP PSS-106 is a battery-powered wireless speaker. It can be used as floor monitor, a tilt back or as a PA. The advanced version (D2613) includes the wireless microphone and the wireless microphone receiver with an antenna. If you have the basic version (D2612), you have to purchase those accessories separately.

1.1. PSS-106

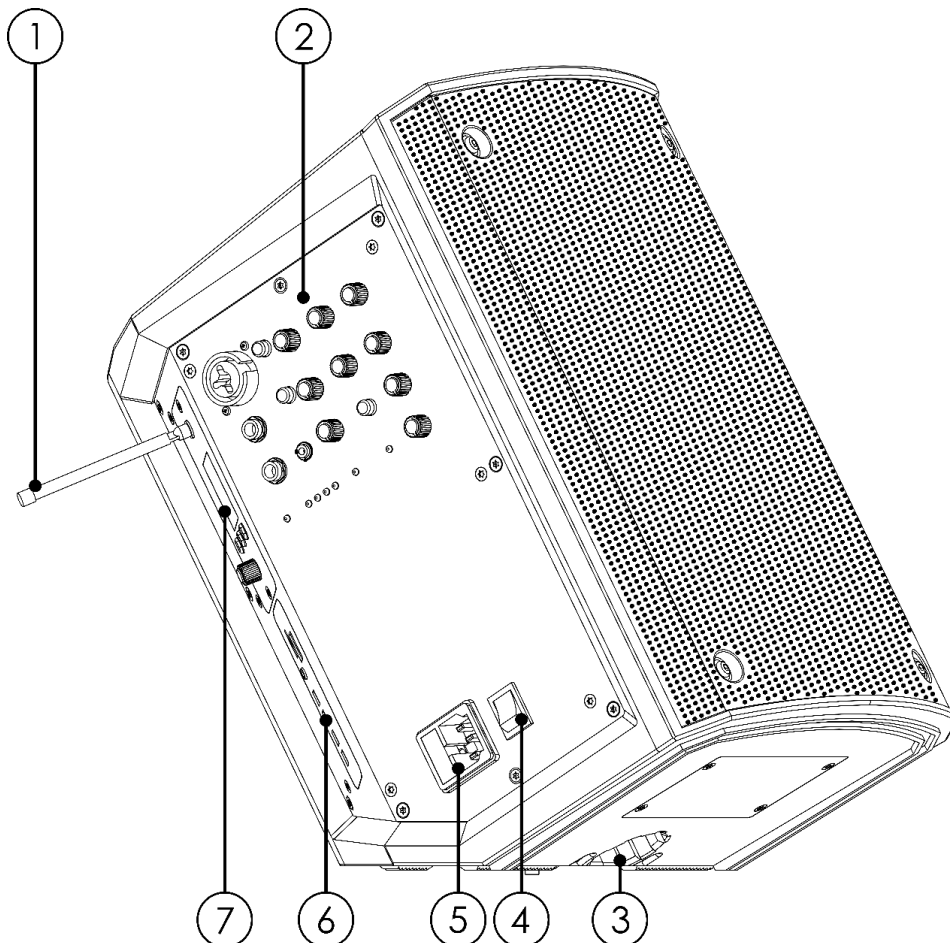


Fig. 01

- | | |
|----------------------------------|--------------------------------------------------|
| 01) Antenna (only in D2613) | 05) IEC power connector IN + Fuse T1,6AL/250V |
| 02) 3-channel mixer | 06) Media player (Aux/Music files/Bluetooth) |
| 03) 35-mm pole mount | 07) Wireless microphone receiver (only in D2613) |
| 04) Power switch ON/OFF/RECHARGE | |

1.2. Wireless Microphone (only in D2613)

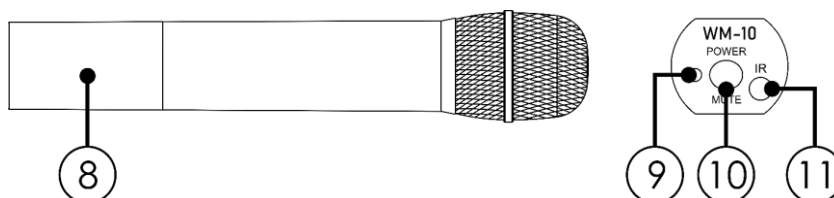


Fig. 02

- | | |
|------------------------------------------|---------------------------|
| 08) Battery housing (2 x AA) | 10) ON/OFF/Mute button |
| 09) Power/mute LED indicator (green/red) | 11) Infra-red (IR) sensor |

1.3. 3-channel Mixer

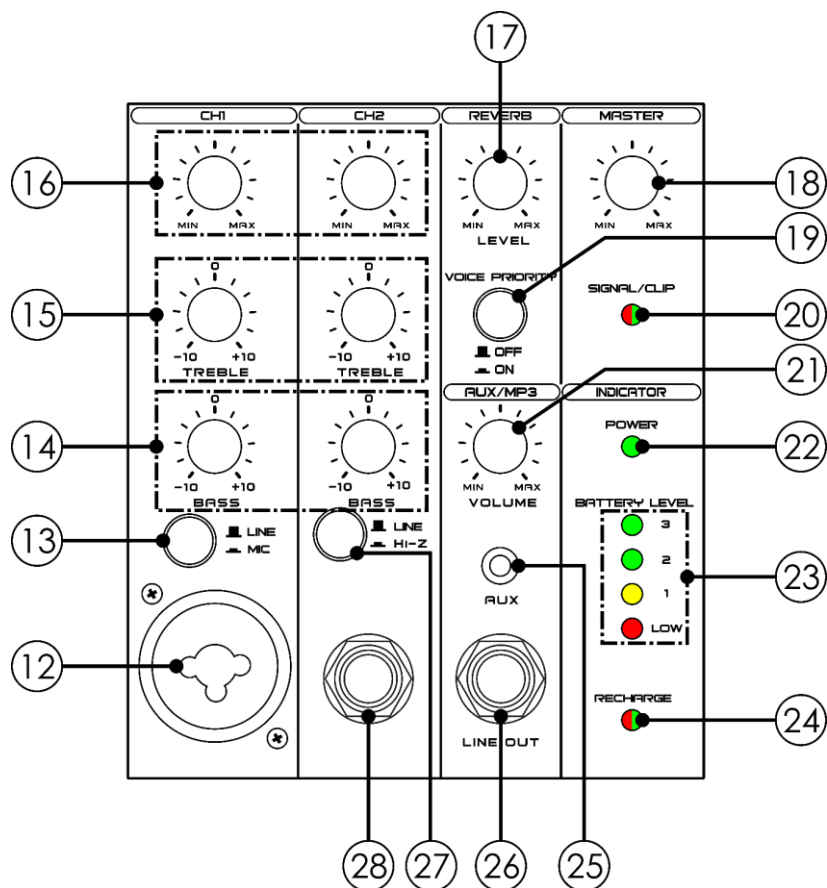


Fig. 03

- 12) Combo 3-pin XLR/6,3 mm jack IN (balanced/unbalanced)
- 13) Microphone/Line impedance switch CH1
- 14) Bass control CH1/CH2
- 15) Treble control CH1/CH2
- 16) Input gain control CH1/CH2
- 17) Reverb control
- 18) Master volume control
- 19) Voice priority switch ON/OFF
- 20) Signal/Clip LED indicator (Green/Red)
- 21) Media player volume control
- 22) Power LED indicator (Green)
- 23) Battery LED indicator (Red/Yellow/Green)
- 24) Recharge LED indicator (Red/Green)
- 25) Aux stereo 3,5 mm jack IN
- 26) Line(balanced)/Mix 6,3 mm jack OUT
- 27) Line/High impedance switch CH2
- 28) Line/High impedance 6,3 mm jack CH2 IN (balanced/unbalanced)

1.4. Wireless Microphone Receiver

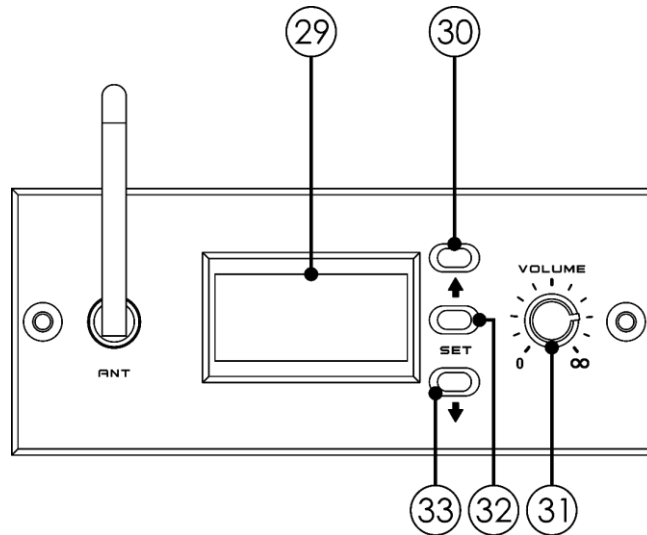


Fig. 04

- 29) LCD display
- 30) UP button
- 31) Microphone signal volume control
- 32) SET button
- 33) DOWN button

1.5. Media Player

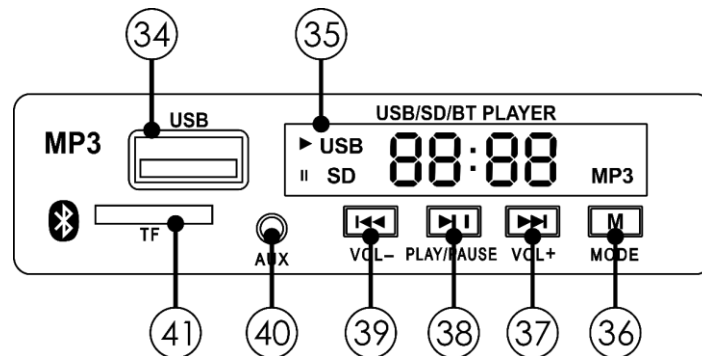


Fig. 05

- 34) USB A connector IN
- 35) LCD display
- 36) MODE button
- 37) FORWARD/VOLUME + button
- 38) PLAY/PAUSE button
- 39) BACKWARD/VOLUME – button
- 40) Aux signal connector IN
- 41) SDcard connector IN

1.6. Product Specifications

Model:	DAP PSS-106 Battery Speaker with Wireless Handheld Mic
Physical:	
Dimensions (speaker):	265 x 240 x 325 mm (L x W x H)
Weight (speaker):	5,9 kg
Dimensions (microphone):	240 x 50 x 50 mm (L x W x H)
Weight (microphone):	0,2 kg
Inputs:	
Mono input connector:	3-pin XLR/TRS unbalanced 6,3 mm
Auxiliary inputs:	TRS stereo 3,5 mm
Output:	
RMS output power amplifier:	160 W
Playback:	
Supported audio files:	MP3, WAV, WMA
USB flash drive max. capacity:	< 32 GB, FAT32-formatted
Audio Specifications:	
Maximum SPL at 1 m:	110 dB
Frequency response:	70–20000 Hz
Woofer diameter:	6,5 "
Woofer voice coil:	1 "
Compression driver diameter:	1 "
Wireless microphone frequency:	863–865 MHz
Main graphic equalizer:	2 bands
Electrical:	
Input voltage:	220–240 V AC, 50 Hz
Power consumption:	100 W
Fuse:	T1,6AL/250V
Battery:	
Battery type:	Lithium-ion
Battery voltage:	25,9 V
Capacity:	2,2 Ah
Runtime (full output):	5 h
Runtime (average):	8 h
Charging time:	4 h
Microphone:	
Power supply:	2 x AA LR6 batteries (not supplied)
Construction:	
Housing:	ABS
Color:	Black
IP rating:	IP20
Connections:	
Power connections:	IEC
Product Properties:	
Pole mount:	35 mm
Cooling:	Convection
Electronic protection:	Clip limiter, Overheating, Overload, Thermal
LED indicators:	Battery status, BT Pairing, Charging, Power, Protect, Signal
Speaker grill:	Steel
Thermal:	
Max. ambient temperature t_a :	5–40 °C

1.7. Optional Accessories

You can additionally purchase the following accessories:

Product code: [D2621](#) (DAP WM-10 Handheld Microphone for PSS-106)

Product code: [D2622](#) (DAP BP-10 Beltpack for PSS-106)

Product code: [D2625](#) (DAP WR-10 Wireless Receiver for PSS-106)

Product code: [98040](#) (Duracell industrial AA battery)

1.8. Dimensions

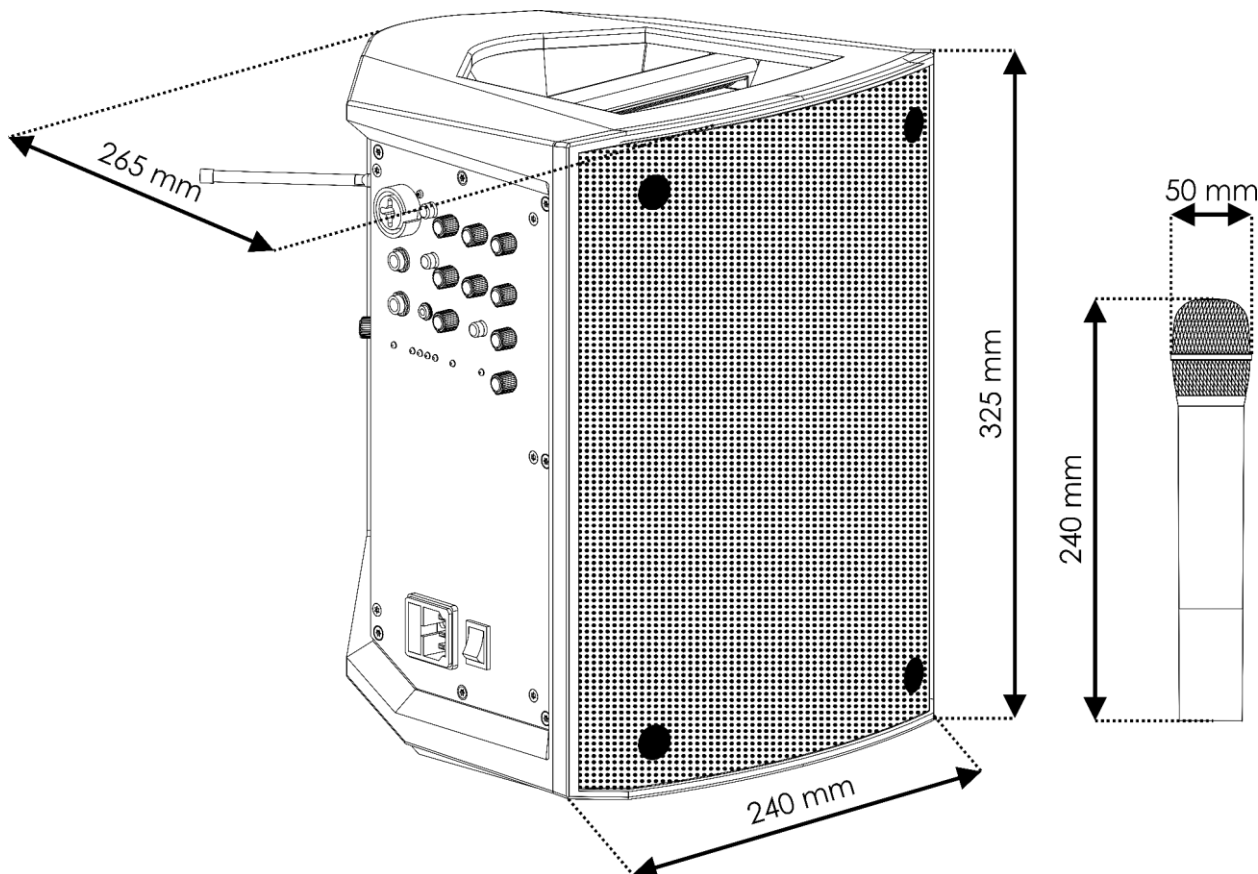


Fig. 06

2. Installation

2.1. Safety Instructions for Installation



WARNING
Incorrect installation can cause serious injuries and damage of property.

If trussing systems are used, installation must be carried out only by instructed or skilled persons.

Follow all applicable European, national and local safety regulations concerning rigging and trussing.

2.2. Personal Protective Equipment

During installation and rigging wear personal protective equipment in compliance with the national and site-specific regulations.

2.3. Installation Site Requirements

- The device can be used indoors and outdoors.
- The maximum ambient temperature $t_a = 40\text{ °C}$ must never be exceeded.
- The relative humidity must not exceed 50 % with an ambient temperature of 40 °C.

Note:

It is recommended to charge the device at an ambient temperature between 0 °C and 35 °C.

2.4. Mounting Options

The device can be positioned on a flat surface or mounted to a speaker stand.

The mounting options are as follows:

Option 1: installation on a speaker stand

Use the **35-mm pole mount (03)** to install the device on a speaker stand.

This method ensures greater projection of sound.

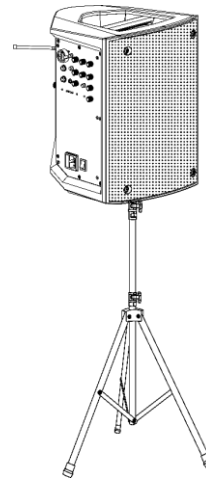


Fig. 07

Option 2: inclined installation on a flat surface

This method is recommended when both the artist and the audience are standing. Using this method, the artist is also better able to hear his own output during performance.

There is a HPF (high-pass filter) button at the bottom of the device that gets pressed when you install the device in this position. The HPF cuts off lower frequencies which leads to cleaner microphone output sound.

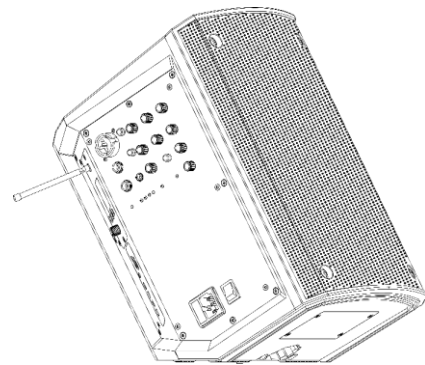


Fig. 08

Option 3: installation as a floor monitor

The device functions only as a floor monitor. This way, the artist is able to hear his own output during performance.

There is a HPF (high-pass filter) button at the side of the device that gets pressed when you install the device in this position. The HPF cuts off lower frequencies which leads to cleaner microphone output sound.

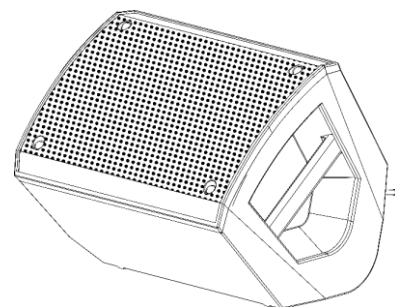


Fig. 09

2.5. Charging the Battery



DANGER
Risk of explosion caused by incorrect handling

This device contains a built-in rechargeable lithium-ion battery. The battery is not replaceable. The battery may explode or cause burns if it is crushed, disassembled or exposed to fire or high temperatures.

- Do not open the device and do not attempt to remove the built-in battery.

This device is delivered with an IEC to Schuko power cable that is used to charge the battery. Before connecting the power cable to the socket-outlet, make sure that the power supply matches the input voltage specified on the information label on the device.

To charge the battery follow the steps below:

- 01) Set the **power switch (04)** to OFF position.
- 02) Connect the IEC power cable to the device. Use only the IEC power cable delivered with the device. Connect the IEC power cable to the socket-outlet.
- 03) Set the **power switch (04)** to RECHARGE position.

During charging, the **Recharge LED indicator (24)** is red. When charging is completed, the **Recharge LED indicator (24)** lights green.

- Charge the battery before using the device for the first time.
- Do not deep discharge the battery as this will shorten the battery's lifetime. Recharge the battery as early as possible. Do not let the light run until the battery is depleted.
- Make sure that the battery is charged to at least 50 % before storing the device.

It is recommended to charge the device at an ambient temperature between 0 °C and 35 °C.

If the device is charged in a carrying bag, leave the bag open.

Refer to **1.6. Product Specifications** on page 6 for the charging time of the battery.

2.6. Installation of the Batteries (Wireless Microphone)

The wireless microphone is delivered without batteries. It accepts 2 x AA LR6 (alkaline) batteries. Rechargeable Ni-Cad batteries can be used but they do not supply adequate current for more than 4 hours.

To install the batteries:

- 01) Turn the battery cover clockwise and remove it (Fig. 10).
- 02) Insert 2 x AA LR6 batteries into the battery compartment.
- 03) Put the battery cover back and turn it counterclockwise to tighten it.



Fig. 10

Note:

Make sure that you install the batteries with correct polarity orientation.

3. Setup

3.1. Safety Instructions for Operation



Attention

This device must be used only for the purposes it is designed for.

This device is intended for use as a wireless speaker. It is suitable for indoor and outdoor. It is not suitable for households.

Any other use, not mentioned under intended use, is regarded as non-intended and incorrect use.

3.2. Switching the PSS-106 On/Off

To switch the device on, set the **power switch (04)** to ON position.

To switch the device off, set the **power switch (04)** to OFF position.

3.3. Switching the Microphone On/Off

To switch the microphone on, press and hold down the **ON/OFF/Mute button (10)** for 3 seconds. The **power/mute LED indicator (09)** will light green.

To switch the microphone off, press and hold down the **ON/OFF/Mute button (10)** for 6 seconds. The **power/mute LED indicator (09)** will turn off.

3.4. Muting the Microphone

- 01) Switch the microphone on. See **3.3. Switching the Microphone On/Off** on page 10 for more information.
- 02) Press the **ON/OFF/Mute button (10)** to activate mute. The **power/mute LED indicator (09)** will light red.
- 03) Press the **ON/OFF/Mute button (10)** again, to deactivate mute. The **power/mute LED indicator (09)** will light green.

3.5. Connecting the Microphone to the Receiver

Before use, pair the microphone and the receiver. You need to do this for the system to work properly.

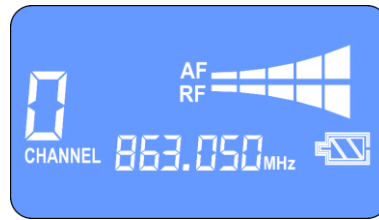
To pair the microphone with the receiver:

- 01) Switch the PSS-106 and the microphone on.
- 02) Press the **UP/DOWN buttons (30/33)** to choose one of the 9 channels (0–8). Alternatively, press and hold down the **DOWN button (33)** for 3 seconds for auto search. The **display (29)** will show:



- 03) Press and hold down the **UP button (30)** for 3 seconds. The channel's number will start blinking on the display.

- 04) Put the microphone's **infra-red (IR) sensor (11)** close to the **display (29)** to pair both devices. The **display (29)** will show the RF range when the devices are paired.



3.6. Pairing Mobile Devices with the Receiver via Bluetooth

Before use, pair your mobile device and the receiver via Bluetooth.

To pair a mobile device with the receiver:

- 01) Switch the PSS-106 on.
- 02) Activate Bluetooth on your mobile device and search for available Bluetooth devices.
- 03) Make a connection with "VIRE BT" device.

3.7. Setup Examples

3.7.1. PSS-106 and External Devices

You can connect a range of external devices to the PSS-106:

- WM-10 Handheld Microphone for PSS-106 or BP-10 Beltpack for PSS-106
- music instruments
- PCs
- mobile devices (via Bluetooth)
- microphones

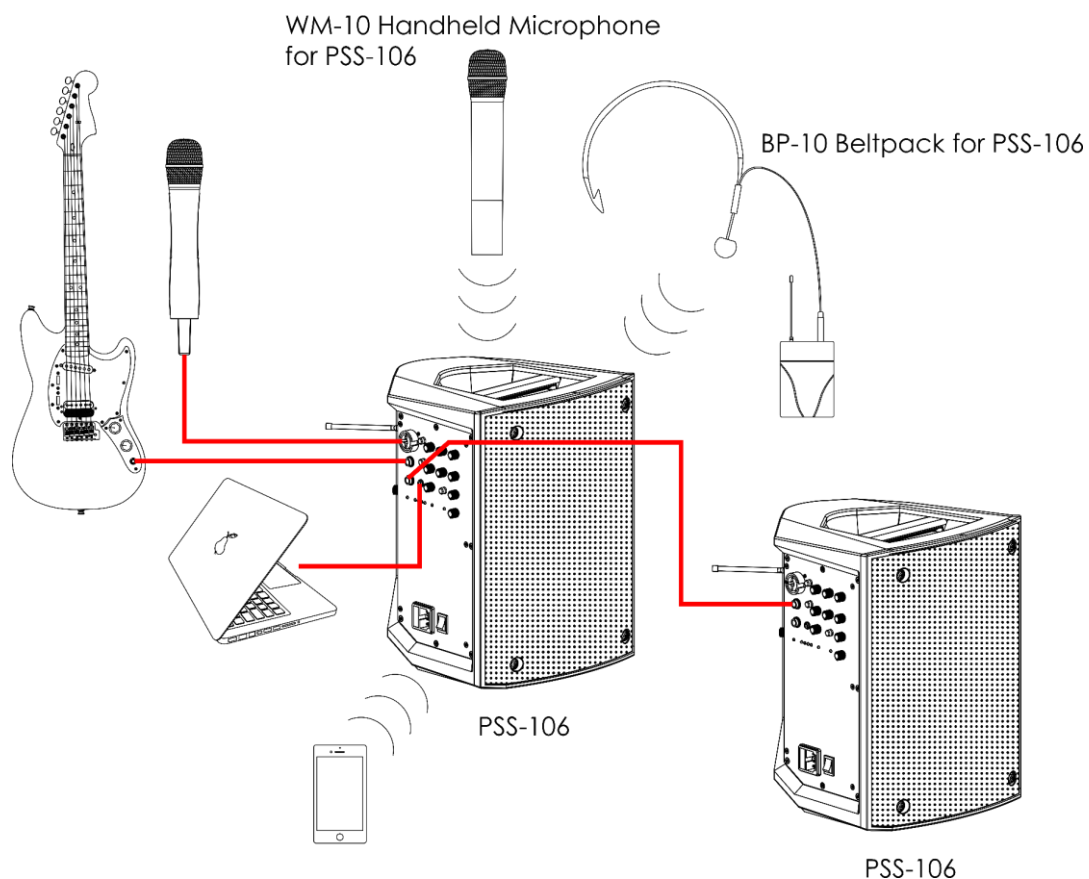


Fig. 11

3.7.2. Multiple PSS-106

You can connect multiple PSS-106 devices to an audio mixer.

- 01) Make sure that all the devices are switched off.
- 02) Make sure that the main volume controls on all devices are set to the lowest position.
- 03) Use signal cables to connect the main mix outputs (left and right) on the audio mixer to the **combo XLR/jack connectors (12)** on the first PSS-106 devices.
- 04) Use signal cables to connect the **Line(balanced)/Mix 6,3 mm jack OUT (26)** connector on the first PSS-106 devices to the **Line/High impedance 6,3 mm jack CH2 (28)** connector on the second PSS-106 devices.

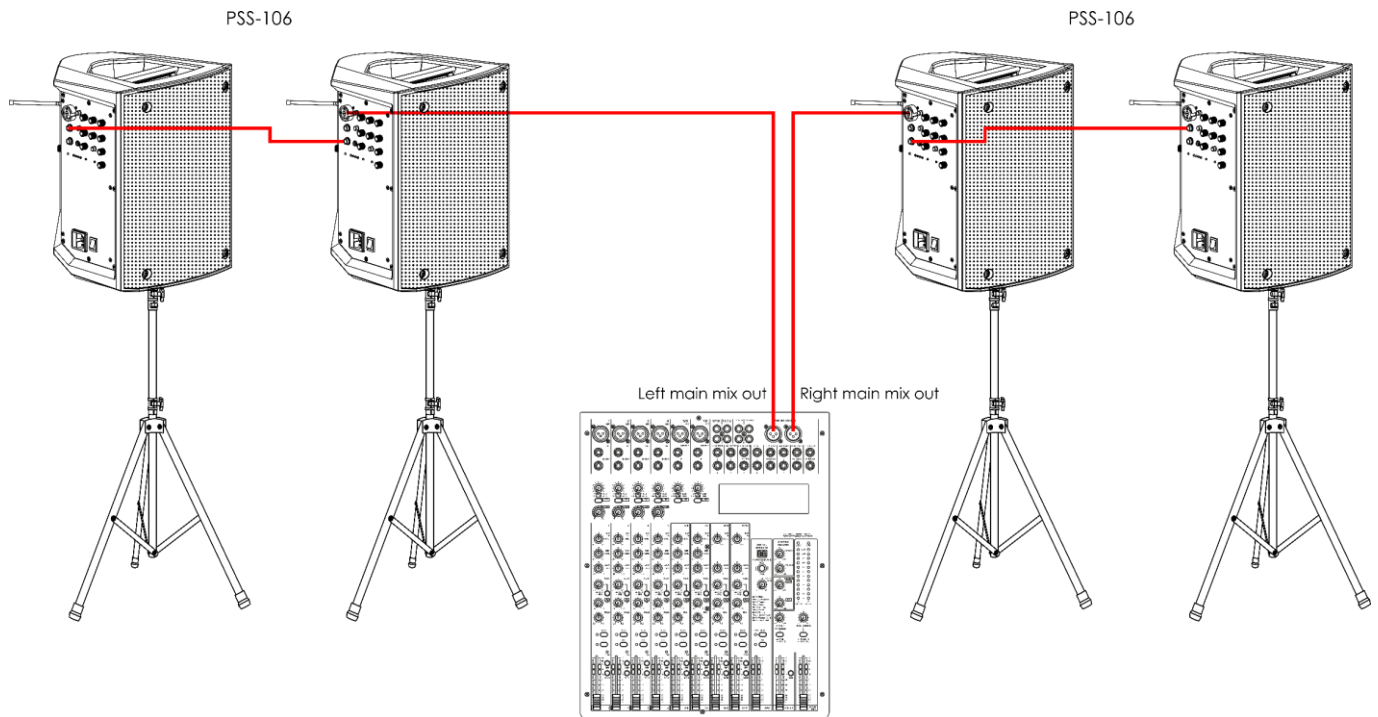


Fig. 12

4. Operation

4.1. Safety Instructions for Operation



Attention

This device must be used only for the purposes it is designed for.

This device is intended for professional use as a wireless speaker. It is suitable for indoor and outdoor use. It is not suitable for households.

Any other use, not mentioned under intended use, is regarded as non-intended and incorrect use.



Attention

Power supply

Before connecting the device to the power supply, make sure that the current, voltage and frequency match the input voltage, current and frequency specified on the information label on the device.

4.2. Start-up

To operate the device:

- 01) Make sure that all PSS-106 and all external devices are switched off.
- 02) Connect all devices. See **3.7. Setup Examples** on page 11 for more information.
- 03) Switch on the audio mixer.
- 04) Switch on the PSS-106 devices. See **3.2. Switching the PSS-106 On/Off** on page 10 for more information.
- 05) Turn up the volume controls on the PSS-106 devices. See **4.5. 3-channel Mixer**, **4.6. Wireless Microphone Receiver** and **4.7. Media Player** on pages 14–16 for more information.
- 06) Use PFL (Pre-Fade Listen) to set the proper input level for the audio amixer and set the main mix level.
- 07) After use, switch off the PSS-106 devices. See **3.2. Switching the PSS-106 On/Off** on page 10 for more information.
- 08) Switch off the audio mixer.

4.3. LED Statuses

There are 3 LED indicators (**Signal/Clip indicator (20)**, **Power indicator (22)** and **Recharge indicator (24)** and) on the **3-channel mixer (02)**. The LED indicators have the following functions:

- SIGNAL/CLIP:
 - If the light is green, the output is within the normal range.
 - If the light is red, the output is too high. Decrease the volume on the device/instrument/audio mixer.
- RECHARGE:
 - If the light is red, the battery is being charged.
 - If the light is green, the battery is charged.
- POWER: If the light is on, the device is powered.

4.4. Battery Statuses

There are 4 LED battery indicators (23) (LOW, 1, 2, 3). The LED indicators show the current battery charge level:

- LOW: < 10 %
- 1: 25–49 %
- 2: 50–75 %
- 3: > 75 %

4.5. 3-channel Mixer

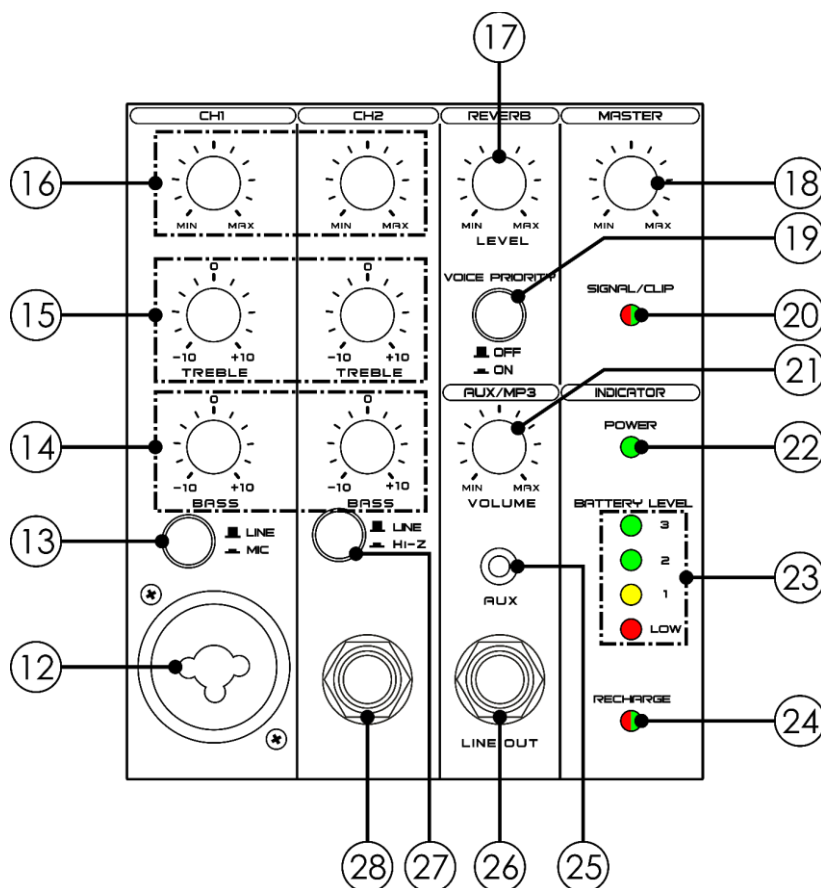


Fig. 13

4.5.1. Adjusting Bass/Treble/Volume

Turn the **bass (14)**, **treble (15)** and **input gain (16)** controls to the left/right to decrease/increase the setting. The adjustment range for bass and treble is ± 10 dB.

4.5.2. Adjusting Master Volume

Turn the **master volume control (18)** to the left/right to decrease/increase the master volume. This setting affects the overall volume of all channels.

4.5.3. Adjusting Reverb

Turn the **reverb control (17)** to the left/right to decrease/increase the reverb.

4.5.4. Adjusting Media Player Volume

Turn the **media player volume control (21)** to the left/right to decrease/increase the volume.

4.5.5. Setting Voice Priority

- When the **voice priority switch (19)** is pressed, the device will mute other channels whenever you speak into the microphone connected to CH1 or the wireless microphone.
- When the **voice priority switch (19)** is released, the device's output will not be muted whenever you speak into the microphone connected to CH1 or the wireless microphone.

4.5.6. Connecting Devices

- Use the **combo XLR/jack connector (12)** to connect a microphone or a line level device.

Note: Make sure that the **microphone/line impedance switch (13)** is in the correct position (pressed for microphone; released for line level device).

- Use the **line/high impedance input connector (28)** to connect low or high-impedance line level devices.

Note: Make sure that the **line/high impedance switch (27)** is in the correct position (pressed for high-impedance devices; released for low-impedance devices).

- Use the **aux stereo input connector (25)** to connect auxiliary signal sources (i.e. a laptop or a media player).
- Use the **line/mix output connector (26)** to connect the device and send signals to another speaker.

4.6. Wireless Microphone Receiver

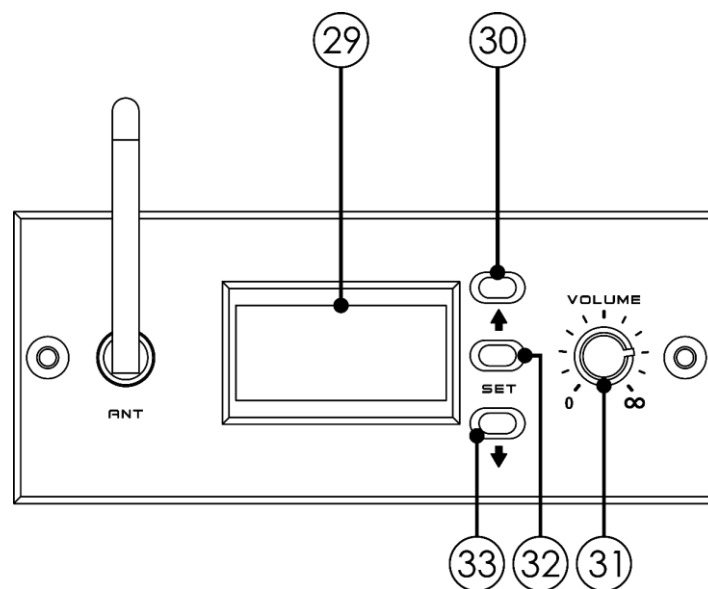


Fig. 14

4.6.1. Selecting Channels

Use the **UP/DOWN buttons (30/33)** to select a channel or to pair the WM-10 microphone or the BP-10 Beltpack with the device. See **3.5. Connecting the Microphone to the Receiver** on page 10 for more information. The **SET button (32)** does not have any function in this version of the device.

4.6.2. Adjusting Microphone Signal Volume

Turn the **microphone signal volume control (31)** to the left/right to decrease/increase the microphone signal volume.

4.7. Media Player

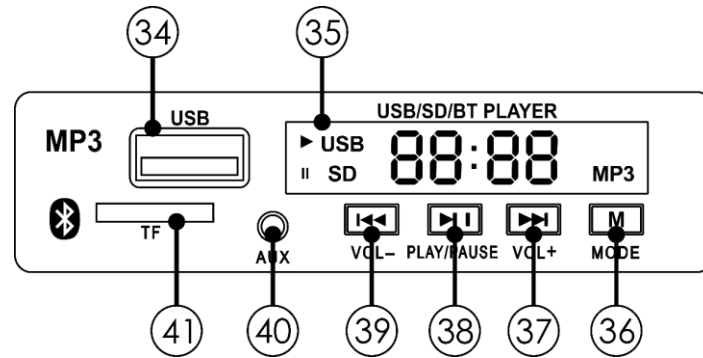


Fig. 15

4.7.1. Connecting Auxiliary Signal Sources

Use the **aux signal input connector (40)** to connect auxiliary signal sources.

4.7.2. Control Modes

There are 3 control modes:

- Aux Mode
- MP3 Mode (USB or SDcard)
- Bluetooth Mode

Repeatedly press the **MODE button (36)** to toggle through the available control modes.

4.7.2.1. Aux Mode

For this control mode to work, connect an auxiliary signal source to the **aux signal input connector (40)**. Press the **MODE button (36)** until the **display (35)** shows LINE.

- Press and hold down the **FORWARD/VOLUME +** and **BACKWARD/VOLUME - (37/39) buttons** to decrease/increase the volume. The adjustment range is 0–27, from low to high volume.
- Press the **PLAY/PAUSE button (38)** to mute the auxiliary signal.

4.7.2.2. MP3 Mode

For this control mode to work, insert a USB flash drive into the **USB input connector (34)** or an SDcard into the **SDcard input connector (41)**. The device will automatically read the MP3 files from the currently inserted source.

If multiple sources are inserted, press the **MODE button (36)** until you select the desired source.

Note: The USB flash drive should be FAT32-formatted and its maximum capacity should not exceed 32 GB.

- Repeatedly press the **FORWARD/VOLUME +** and **BACKWARD/VOLUME - (37/39) buttons** to select tracks backward/forward.
- Press and hold down the **FORWARD/VOLUME +** and **BACKWARD/VOLUME - (37/39) buttons** to decrease/increase the volume. The adjustment range is 0–27, from low to high volume.
- Press the **PLAY/PAUSE button (38)** to play the currently selected track. Press the button again to pause the playback.

4.7.2.3. Bluetooth Mode



Attention

Bluetooth can be used only for receiving of wireless audio signals.

Bluetooth can only be used as a means to receive wireless audio signals. It is not possible to pair the device with other devices via Bluetooth.

For this control mode to work, you need to pair your mobile device and the receiver via Bluetooth. See **3.6. Pairing Mobile Devices with the Receiver via Bluetooth** on page 11 for more information. Press the **MODE button (36)** until the **display (35)** shows BT.

- Repeatedly press the **FORWARD/VOLUME +** and **BACKWARD/VOLUME – (37/39) buttons** to select tracks backward/forward.
- Press and hold down the **FORWARD/VOLUME +** and **BACKWARD/VOLUME – (37/39) buttons** to decrease/increase the volume. The adjustment range is 0–27, from low to high volume.
- Press the **PLAY/PAUSE button (38)** to play the currently selected track. Press the button again to pause the playback.

Note: When your mobile device receives an incoming call, press the **PLAY/PAUSE button (38)** to answer the call. When the conversation is finished, press the button again to end the call and return to Bluetooth mode.

5. Troubleshooting

This troubleshooting guide contains solutions to problems which can be carried out by an ordinary person. The device does not contain user-serviceable parts.

Unauthorized modifications to the device will render the warranty void. Such modifications may result in injuries and material damage.

Refer servicing to instructed or skilled persons. Contact your Highlite International dealer in case the solution is not described in the table.

Problem	Probable cause(s)	Solution
The device does not function at all	No power to the device	<ul style="list-style-type: none"> • Check if the device is switched on • Make sure the batteries are inserted properly into the wireless microphone • Replace the batteries with new ones
	The battery is depleted	
No sound	Devices are not paired	<ul style="list-style-type: none"> • Recharge the battery. See 2.5. Charging the Battery on page 9 • Check if the device and external devices are paired • Check if the connections between the device and external devices are correct
	Bad connections	
Bursts of noise or other audible signals present	Sources of interference are present	<ul style="list-style-type: none"> • Identify potential sources of interference (other RF-sources) and turn them off
Momentary loss of sound as the device is moved around performing area	Dead spots are present	<ul style="list-style-type: none"> • Reposition the device and perform a walk-through test again. If audible drop-outs persist, mark the dead spots and avoid them during performance

6. Maintenance

6.1. Preventive Maintenance



Attention

Before use, examine the device visually for any defects.

6.1.1. Basic Cleaning Instructions

To clean the device, follow the steps below:

- 01) Switch the device off.
- 02) Clean the device with a soft, lint-free cloth.



Attention

- Do not immerse the device in liquid.
- Do not use alcohol or solvents.

6.2. Corrective Maintenance

The device does not contain user-serviceable parts. Do not open the device and do not modify the device.

Refer repairs and servicing to instructed or skilled persons. Contact your Highlite International dealer for more information.

7. Deinstallation, Transportation and Storage

7.1. Instructions for Deinstallation

Deinstallation must be carried out only by instructed or skilled persons.

- Always observe the national and site-specific regulations during deinstallation and derigging of the device.
- Wear personal protective equipment in compliance with the national and site-specific regulations.

7.2. Instructions for Transportation

This device contains a rechargeable (secondary) lithium-ion battery. Lithium-ion batteries contained in equipment fall under the category of dangerous goods for transportation.

Make sure that you are in compliance with all applicable transportation regulations when you transport this device. See **1.6. Product Specifications** on page 6 for the specifications of the battery.

Use the original packaging to transport the device or other suitable packaging that complies with the regulations for transportation of secondary lithium-ion batteries.

7.3. Storage

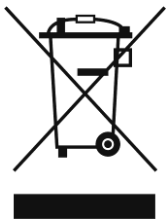
This device contains a rechargeable (secondary) lithium-ion battery. The battery is not replaceable. The battery may explode or cause burns if it is crushed, disassembled or exposed to fire or high temperatures.

- Store the device in a dry place, at temperatures between 5 °C and 20 °C. Lithium-ion batteries self-discharge during storage. Temperatures above 20 °C speed up the self-discharging process.
- Do not store the device with depleted battery. Make sure that the battery is charged to at least 50 % before storing the device. See **2.5. Charging the Battery** on page 9.
- Clean the device before storing. Follow the cleaning instructions in chapter **6.1.1. Basic Cleaning Instructions** on page 18.
- Store the device in the original packaging, if possible.

8. Disposal

This device contains a lithium-ion battery. Do not dispose of with the household waste.

Correct disposal of this product



Waste Electrical and Electronic Equipment

This symbol on the product, its packaging or documents indicates that the product shall not be treated as household waste. Dispose of this product by handing it to the respective collection point for recycling of electrical and electronic equipment. This is to avoid environmental damage or personal injury due to uncontrolled waste disposal. For more detailed information about recycling of this product contact the local authorities or the authorized dealer.

9. Approval



Check the respective product page on the website of Highlite International (www.highlite.com) for an available declaration of conformity.

DAP

©2022 DAP