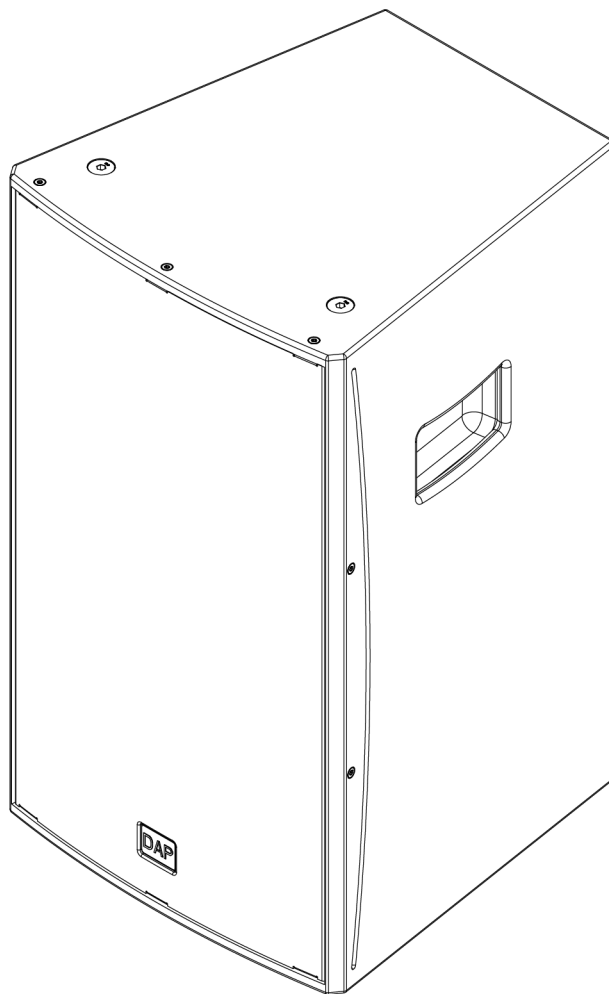


DAP

USER MANUAL

ENGLISH

V1.0



NRG-12 Mobile

Product code: D3650

Preface

Thank you for purchasing this DAP product.

The purpose of this user manual is to provide instructions for the correct and safe use of this product.

Keep the user manual for future reference as it is an integral part of the product. The user manual shall be stored at an easily accessible location.

This user manual contains information concerning:

- Safety instructions
- Intended and non-intended use of the device
- Installation and operation of the device
- Maintenance procedures
- Troubleshooting
- Transport, storage and disposal of the device

Non-observance of the instructions in this user manual may result in serious injuries and damage of property.

©2024 DAP. All rights reserved.

No part of this document may be copied, published or otherwise reproduced without the prior written consent of Highlite International.

Design and product specifications are subject to change without prior notice.

For the latest version of this document or other language versions, please visit our website www.highlite.com or contact us at service@highlite.com.

Highlite International and its authorized service providers are not liable for any injury, damage, direct or indirect loss, consequential or economic loss or any other loss arising from the use of, or inability to use or reliance on the information contained in this document.

Highlite International B.V. – Vestastraat 2 – 6468 EX Kerkrade – the Netherlands

Table of contents

1. Introduction	4
1.1. Before Using the Product.....	4
1.2. Intended Use.....	4
1.3. Text Conventions.....	4
1.4. Symbols and Signal Words.....	5
1.5. Symbols on the Information Label.....	5
2. Safety	6
2.1. Warnings and Safety Instructions.....	6
2.2. Requirements for the User.....	8
3. Description of the Device	9
3.1. Front View.....	9
3.2. Back View.....	10
3.3. Bottom View.....	10
3.4. Product Specifications.....	11
3.5. Dimensions.....	12
3.6. Optional Accessories.....	12
4. Installation	13
4.1. Safety Instructions for Installation.....	13
4.2. Personal Protective Equipment.....	13
4.3. Installation Site Requirements.....	13
4.4. Mounting Options.....	13
4.4.1. Installation on a Speaker Stand.....	14
4.4.2. Overhead Mounting with a Clamp.....	14
4.5. Battery Installation.....	16
5. Setup	17
5.1. Setup Example.....	17
5.1.1. Connecting a Microphone.....	17
5.1.2. Connecting a Line-level Device.....	17
5.1.3. Connecting to a Streaming Source Device.....	18
5.2. Connecting to Power Supply.....	18
6. Operation	19
6.1. Safety Instructions for Operation.....	19
6.2. Switching On/Off.....	19
6.3. Charging the Battery.....	20
6.3.1. Battery Status LED Indicators.....	20
6.4. Bluetooth Connection.....	21
6.4.1. Pairing with a Streaming Source Device.....	21
6.4.2. Linking to Another Device.....	21
6.5. Adjusting the Gain.....	22
6.6. DSP Settings.....	22
6.7. LED Statuses.....	22
7. Troubleshooting	23
8. Maintenance	23
8.1. Safety Instructions for Maintenance.....	23
8.2. Preventive Maintenance.....	23
8.2.1. Basic Cleaning Instructions.....	24
8.3. Corrective Maintenance.....	24
8.3.1. Replacing the Fuse.....	24
9. Deinstallation, Transportation and Storage	25
9.1. Instructions for Deinstallation.....	25
9.2. Instructions for Transportation.....	25
9.3. Instructions for Transportation.....	25
9.4. Storage.....	25
10. Disposal	26

11. Approval..... 26

1. Introduction

1.1. Before Using the Product



Important
Read and follow the instructions in this user manual before installing, operating or servicing this product.

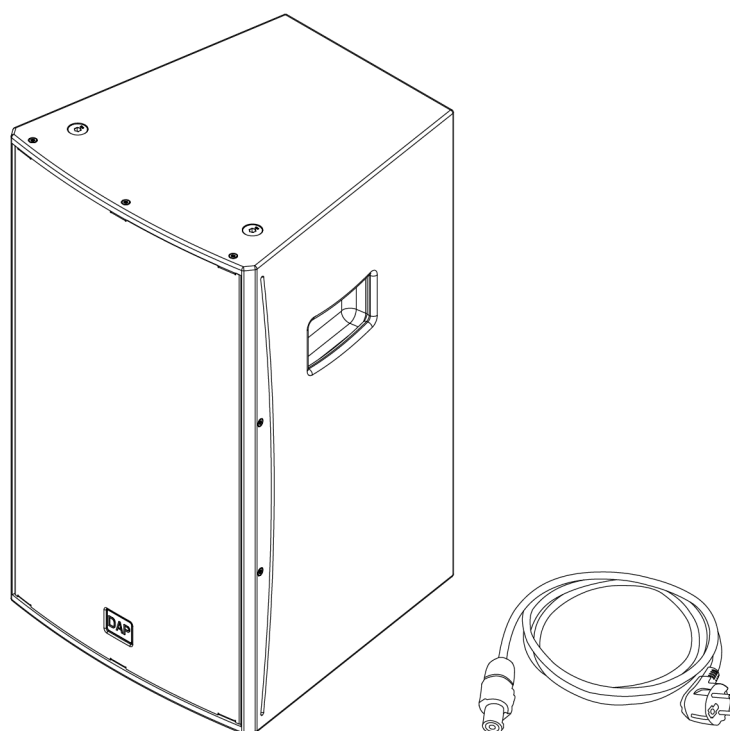
The manufacturer will not accept liability for any resulting damages caused by the non-observance of this manual.

After unpacking, check the contents of the box. If any parts are missing or damaged, contact your Highlite International dealer.

Your shipment includes:

- DAP NRG-12 Mobile
- User manual
- IEC cable

Figure 1



1.2. Intended Use

This device is intended for professional use as a Bluetooth battery speaker. It can be used only indoors. This device is not suitable for households.

Any other use, not mentioned under intended use, is regarded as non-intended and incorrect use.

1.3. Text Conventions

Throughout the user manual the following text conventions are used:

- References: References to parts of the device are in bold lettering, for example: "turn the **adjustment handle (05)**". References to chapters are hyperlinked
- 0–255: Defines a range of values
- Notes: **Note:** (in bold lettering) is followed by useful information or tips

1.4. Symbols and Signal Words

Safety notes and warnings are indicated throughout the user manual by safety signs.

Always follow the instructions provided in this user manual.



DANGER

Indicates an imminently hazardous situation which, if not avoided, will result in death or serious injury.



WARNING

Indicates a potentially hazardous situation which, if not avoided, could result in death or serious injury.



CAUTION

Indicates a potentially hazardous situation, which, if not avoided, may result in minor or moderate injury.



Attention

Indicates important information for the correct operation and use of the product.



Important

Read and observe the instructions in this document.



Electrical hazard



Provides important information about the disposal of this product.

1.5. Symbols on the Information Label

This product is provided with an information label. The information label is located on the back side of the device.

The information label contains the following symbols:



This device is designed for indoor use.



This device shall not be treated as household waste.



Read and follow the instructions in the user manual before installing, operating or servicing the device.



This device falls under IEC protection class I.



Warning: Risk of electric shock. Do not open.

Warning: To reduce the risk of fire or electric shock do not expose this equipment to rain or moisture.

2. Safety



Important
Read and follow the instructions in this user manual before installing, operating or servicing this product.

The manufacturer will not accept liability for any resulting damages caused by the non-observance of this manual.

2.1. Warnings and Safety Instructions



DANGER
Electric shock caused by dangerous voltage inside

There are areas inside the device where dangerous touch voltage may be present.

- Do not open the device or remove any covers.
- Do not operate the device if the covers or the housing are open. Before operation, check if the housing is firmly closed and all screws are tightly fastened.
- Disconnect the device from the electrical power supply before service and maintenance, and when the device is not in use.



DANGER
Electric shock caused by short-circuit

This device falls under IEC protection Class I.

- Make sure that the device is electrically connected to ground (earth). Connect the device only to a socket-outlet with a ground (earth) connection.
- Do not cover the ground (earth) connection.
- Do not bypass the thermostatic switch or fuses.
- Replace fuses only with the same type and rating.
- Do not let the power cable come into contact with other cables. Handle the power cable and all connections with the mains with caution.
- Do not modify, bend, mechanically strain, put pressure on, pull or heat up the power cable.
- Make sure that the power cable is not crimped or damaged. Examine the power cable periodically for any defects.
- Do not immerse the device in water or other liquids. Do not install the device in a location where flooding may occur.
- Do not use the device during thunderstorms. Disconnect the device from the electrical power supply immediately.



DANGER
Risk of explosion caused by incorrect handling

This device operates with a rechargeable sealed lead-acid battery. The battery is not supplied with the device.

The battery may explode or cause burns if it is crushed, disassembled or exposed to fire or high temperatures.

- Read and follow the safety instructions supplied with the battery before using the battery.
- Do not disassemble the battery.
- Do not crush or puncture the battery.
- Do not short-circuit the battery.
- Do not expose the battery to water or other liquids.
- Keep the battery away from fire and heat.

- Do not charge the battery in a sealed container.
- Do not use the battery in dusty environments.



WARNING
Risk of leakage caused by incorrect handling

Lead-acid batteries contain diluted sulfuric acid, which is a toxic substance. If the battery leaks and the liquid inside spills, it can cause severe skin burns and eye damage. It is also harmful to aquatic life.

- Read and follow the safety instructions supplied with the battery before using the battery.
- Do not disassemble the battery.
- Do not crush or puncture the battery.
- Do not use the battery if there is any corrosion of the terminals, leakage or deformation of the casing.



Attention
Power supply

- Before connecting the device to the power supply, make sure that the current, voltage and frequency match the input voltage, current and frequency specified on the information label on the device.
- Make sure that the cross-sectional area of the extension cords and power cables is sufficient for the required power consumption of the device.



Attention
General safety

- Do not shake the device. Avoid brute force when installing or operating the device.
- If the device is dropped or struck, disconnect the device from the electrical power supply immediately.
- If the device is exposed to extreme temperature variations (e.g. after transportation), do not switch it on immediately. Let the device reach room temperature before switching it on, otherwise it may be damaged by the formed condensation.
- If the device fails to work properly, discontinue use immediately.



Attention
For professional use only
This device must be used only for the purposes it is designed for.

This device is designed to be used as a Bluetooth battery speaker. Any incorrect use may lead to hazardous situations and result in injuries and material damage.

- This device is not suitable for households.
- This device does not contain user-serviceable parts. Unauthorized modifications to the device will render the warranty void. Such modifications may result in injuries and material damage.



Attention
Before each use, examine the device visually for any defects.

Make sure that:

- There are no deformations on housings, fixings and installation points.
- The power cables are not damaged and do not show any material fatigue.

**Attention****Do not expose the device to conditions that exceed the rated IP class conditions.**

This device is IP20 rated. IP (Ingress Protection) 20 class provides protection against solid objects greater than 12 mm, such as fingers, and no protection against harmful ingress of water.

2.2. Requirements for the User

This product may be used by ordinary persons. Installation and maintenance may be carried out by ordinary persons. Service shall be carried out only by instructed or skilled persons. Contact your Highlite International dealer for more information.

Instructed persons have been instructed and trained by a skilled person, or are supervised by a skilled person, for specific tasks and work activities associated with the installation, service and maintenance of this product, so that they can identify risks and take precautions to avoid them.

Skilled persons have training or experience, which enables them to recognize risks and avoid hazards associated with the installation, service and maintenance of this product.

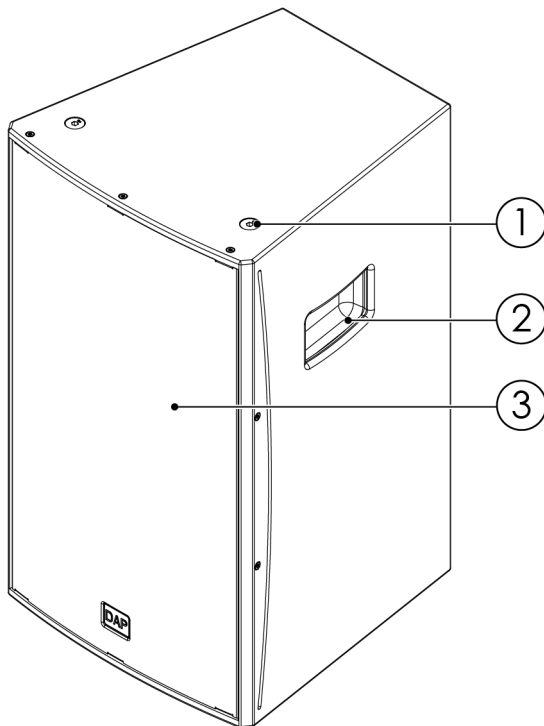
Ordinary persons are all persons other than instructed persons and skilled persons. Ordinary persons include not only users of the product but also any other persons that may have access to the device or who may be in the vicinity of the device.

3. Description of the Device

The DAP NRG-12 Mobile is a full-range, battery-powered speaker with Bluetooth 5.0. It has a peak power output of 200 W with 120 W of continuous RMS power. The separately available standard 12 V battery provides a run time of approximately 20 hours at an average volume. The built-in amplifier has a 3-pin XLR/jack combo microphone input and a mini-jack auxiliary input with separate volume controls. There is also a separate volume control for the Bluetooth connection and the speaker offers True Wireless Stereo when connected to a second speaker.

3.1. Front View

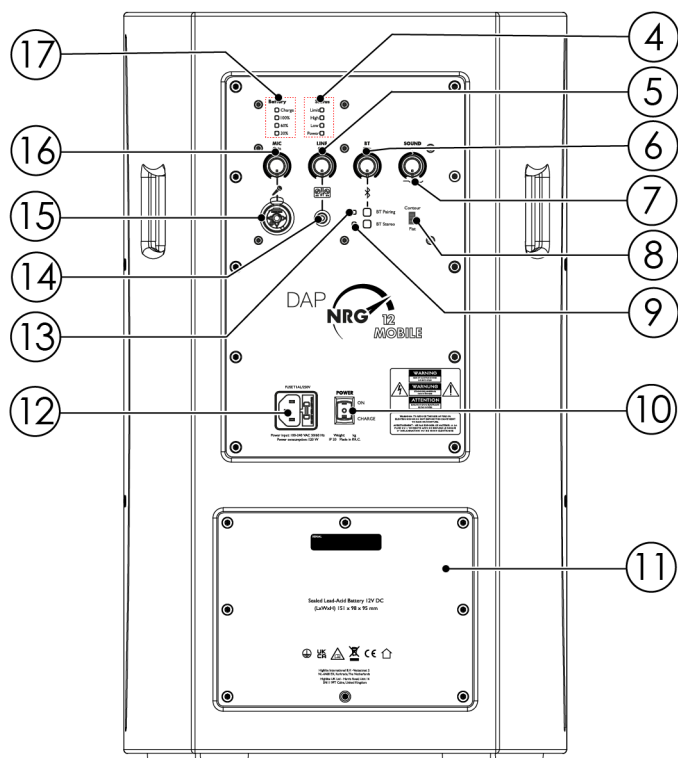
Figure 2



- 01) 2 mounting openings (M10) with hex screws
- 02) 2 carrying handles
- 03) Speaker grill

3.2. Back View

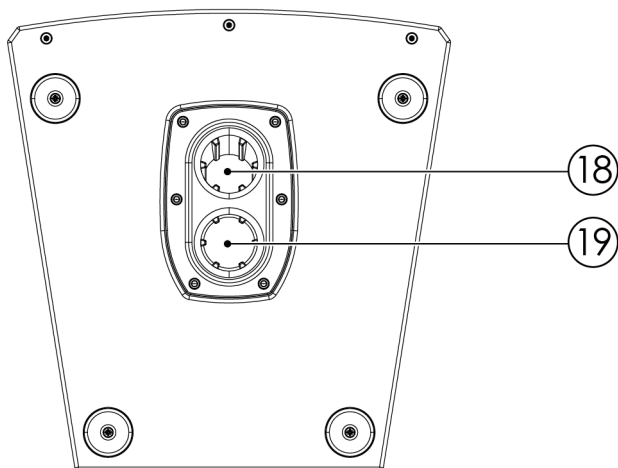
Figure 3



- 04) Status LED indicators
- 05) Line-level gain control
- 06) Bluetooth gain control
- 07) Sound level control
- 08) Contour/flat switch
- 09) Bluetooth Stereo button and LED indicator
- 10) Power switch (On/Off/Charge)
- 11) Battery cover
- 12) IEC power connector IN (with integrated fuse holder)
- 13) Bluetooth pairing button and LED indicator
- 14) 3,5 mm line-level connector IN
- 15) Combined (3-pin XLR/6,3 mm jack) microphone connector IN
- 16) Microphone gain control
- 17) Battery status LED indicators

3.3. Bottom View

Figure 4



- 18) Mounting opening 5° (Ø 35 mm)
- 19) Mounting opening 0° (Ø 35 mm)

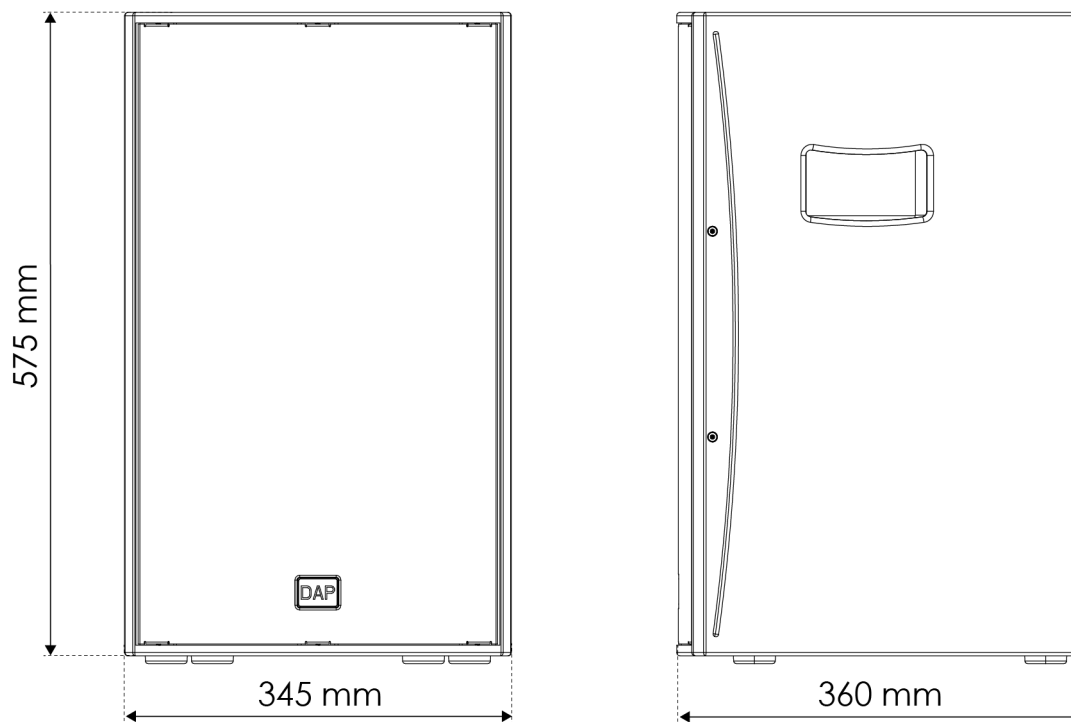
3.4. Product Specifications

Model:	NRG-12 Mobile
Inputs:	
Mono inputs	1
Mono input connector	3-pin XLR
Auxiliary inputs	1
Auxiliary input connector	TS unbalanced 3,5 mm
Outputs:	
Power amplifier RMS output	120 W
Power amplifier peak output	200 W
Audio Specifications:	
THD level	< 0,5 %
Speaker sensitivity (1 W/1 m)	95 dB
Maximum SPL at 1 m	113 dB
Frequency response minimum	60 Hz
Frequency response maximum	20000 Hz
Woofers diameter	12 "
Woofers voice coil diameter	2 "
Woofers magnet type	Ferrite
Compression driver diameter	1 "
Compression driver voice coil	1,4 "
Compression driver magnet type	Ferrite
Dispersion angle (horizontal)	90°
Dispersion angle (vertical)	60°
Battery:	
Battery type	Lead-acid (not included)
Battery voltage	12 V
Capacity	10 Ah
Electrical Specifications and Connections:	
Power supply	100–240 V AC 50/60 Hz
Power consumption	120 W
Fuse	T 1 A L/250 V
Power connector IN	IEC
Mechanical Specifications:	
Height	575 mm
Width	345 mm
Depth	360 mm
Material	Plywood
Weight	21 kg
IP rating	IP20 (indoor use only)
Color	Black
Thermal Specifications:	
Maximum ambient temperature	40 °C
Minimum operating temperature	-5 °C

Included Items:

Included cables

IEC Cable

3.5. Dimensions**Figure 5****3.6. Optional Accessories**

You can additionally purchase the following accessories:

- [D3649](#) Green Cell AGM 12 V 14 Ah
- [D3665](#) Transport Cover for NRG-12(A)
- [D8600](#) Speaker Stand
- [D8601](#) Speaker Stand 35mm Alu
- [D8602](#) Speaker Stand with Baseplate
- [75132](#) Multigrip Clamp Black
- [75133](#) Spigot for Multigrip M10 x 25

Contact your Highlite International dealer for more information.

4. Installation

4.1. Safety Instructions for Installation

**WARNING**

Incorrect installation can cause serious injuries and damage of property.

If trussing systems are used, installation must be carried out only by instructed or skilled persons.

Follow all applicable European, national and local safety regulations concerning rigging and trussing.

**WARNING**

Stability hazard

The device may fall if it is not mounted according to the instructions in this user manual, causing personal injury and material damage.

**Attention**

Heavy object

This device is heavy. When handling, use a two-person lift.

4.2. Personal Protective Equipment

During installation, deinstallation and rigging wear personal protective equipment in compliance with the national and site-specific regulations.

4.3. Installation Site Requirements

- The device can be used only indoors.
- The ambient temperature must be in the range -5 and 40 °C.
- The relative humidity must not exceed 50 % with an ambient temperature of 40 °C.
- It is not recommended to use the device in dusty environments with the battery installed.

4.4. Mounting Options

The device can be mounted on a speaker stand or to a truss with a clamp (see [3.6. Optional Accessories](#) on page 12).

The device has 2 mounting openings on the bottom for upright (0°) or inclined installation (5°) on a speaker stand and 2 mounting openings on the top for mounting with a clamp.

4.4.1. Installation on a Speaker Stand



WARNING
Stability hazard

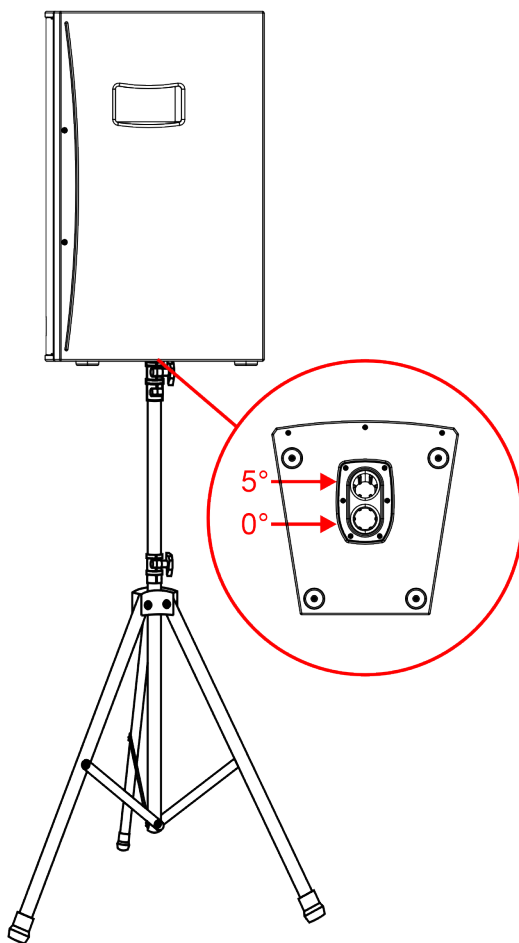
The device may fall if it is mounted on a speaker stand, causing personal injury or death.

- Make sure that the device is safely mounted on the speaker stand.
- Do not place objects on the top of the device when it is mounted on a speaker stand. These objects may fall and cause injury.
- Make sure that the speaker stand can support the weight of the device.

You can mount the device on a speaker stand (see [3.6. Optional Accessories](#) on page 12).

To mount the device on a speaker stand:

Figure 6



- 01) Place the speaker stand on a level stable surface.
- 02) Fully extend the legs of the speaker stand.
- 03) Lift the device above the speaker stand.
- 04) Place the device on top of the speaker stand so that the tube of the stand fits in one of the 2 **mounting openings (18/19)**.

4.4.2. Overhead Mounting with a Clamp



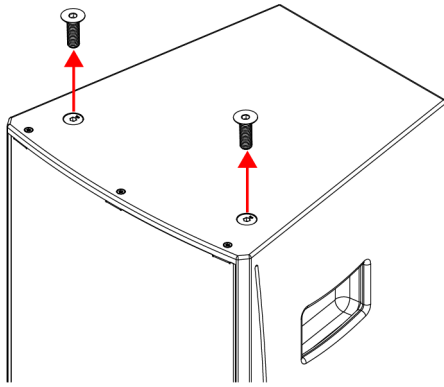
CAUTION
Restrict the access under the work area during installation/deinstallation.

Make sure that the overhead structure can hold the weight of the device.

The NRG-12 Mobile is a mobile speaker, but you can temporarily mount the device with 2 clamps to a truss.

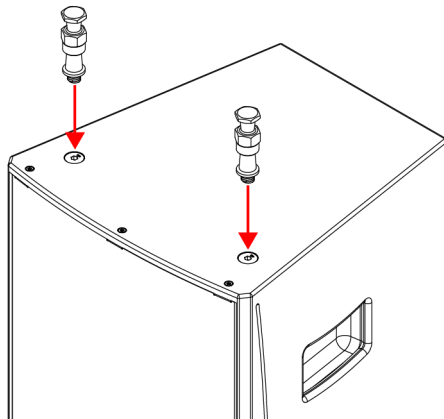
To mount the device, follow the steps below:

Figure 7



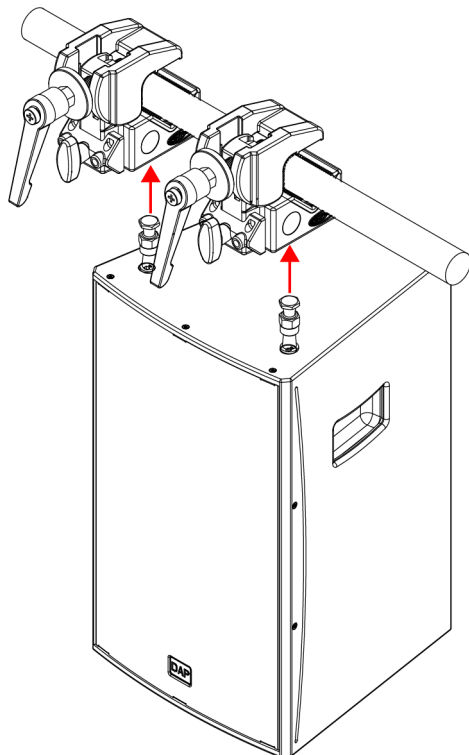
- 01) Use a hex key to remove the 2 hex screws from the 2 **mounting openings (01)**.

Figure 8



- 02) Insert 2 spigots (M10, thread length: min 15 mm, max 30 mm) in the 2 **mounting openings (01)**.
 03) Turn the 2 spigots clockwise to tighten them. Make sure that you do not overtighten them.

Figure 9



- 04) Attach 2 clamps to the overhead structure.
 05) Lift the device under the clamps and insert the spigots into the sockets on the base of the clamps.

Note:

If the spigots are removed, reinstall the hex screws in the **mounting openings (01)**. If the screws are not installed in the **mounting openings (01)**, air leaks occur in the enclosure. This results in undesirable performance of the device.

4.5. Battery Installation

The NRG-12 Mobile operates with a standard sealed lead-acid 12 V battery (see [3.6. Optional Accessories](#) on page 12). The maximum dimensions of the battery are 150 x 98 x 95 mm. The battery is not supplied with the product.

Contact your Highlite International dealer for more information.



DANGER

Incorrect handling of the battery can cause damage and injuries.

- Read and follow the safety instructions supplied with the battery before using the battery.
- Do not disassemble the battery.
- Do not crush or puncture the battery.
- Do not short-circuit the battery.
- Do not expose the battery to water or other liquids.
- Keep the battery away from fire and heat.
- Do not charge the battery in a sealed container.
- Do not use the battery in dusty environments.
- Do not use the battery if there is any corrosion of the terminals, leakage or deformation of the casing.

To install the battery, follow the steps below:

- 01) Remove the 8 screws on the **battery cover (11)** and remove the **battery cover (11)**.
- 02) Connect the red cable inside the device to the (+) pole of the battery.
- 03) Connect the black cable inside the device to the (-) pole of the battery.
- 04) Slide the battery into the battery compartment of the device.
- 05) Place the **battery cover (11)** back and install the 8 screws.

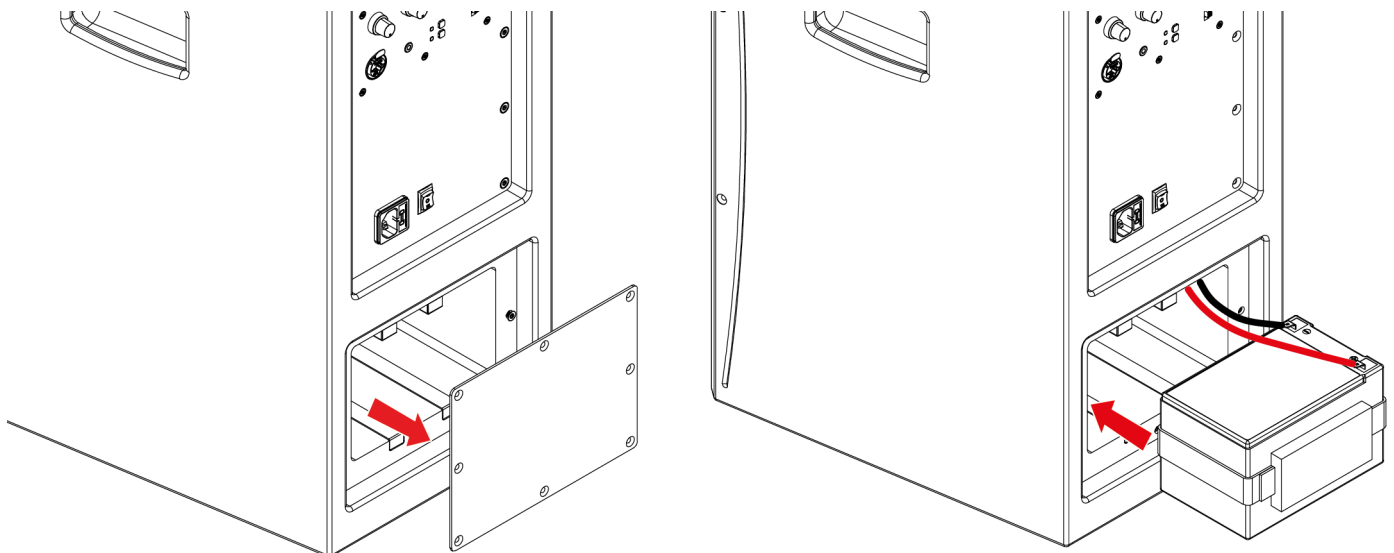


Figure 10

5. Setup

5.1. Setup Example

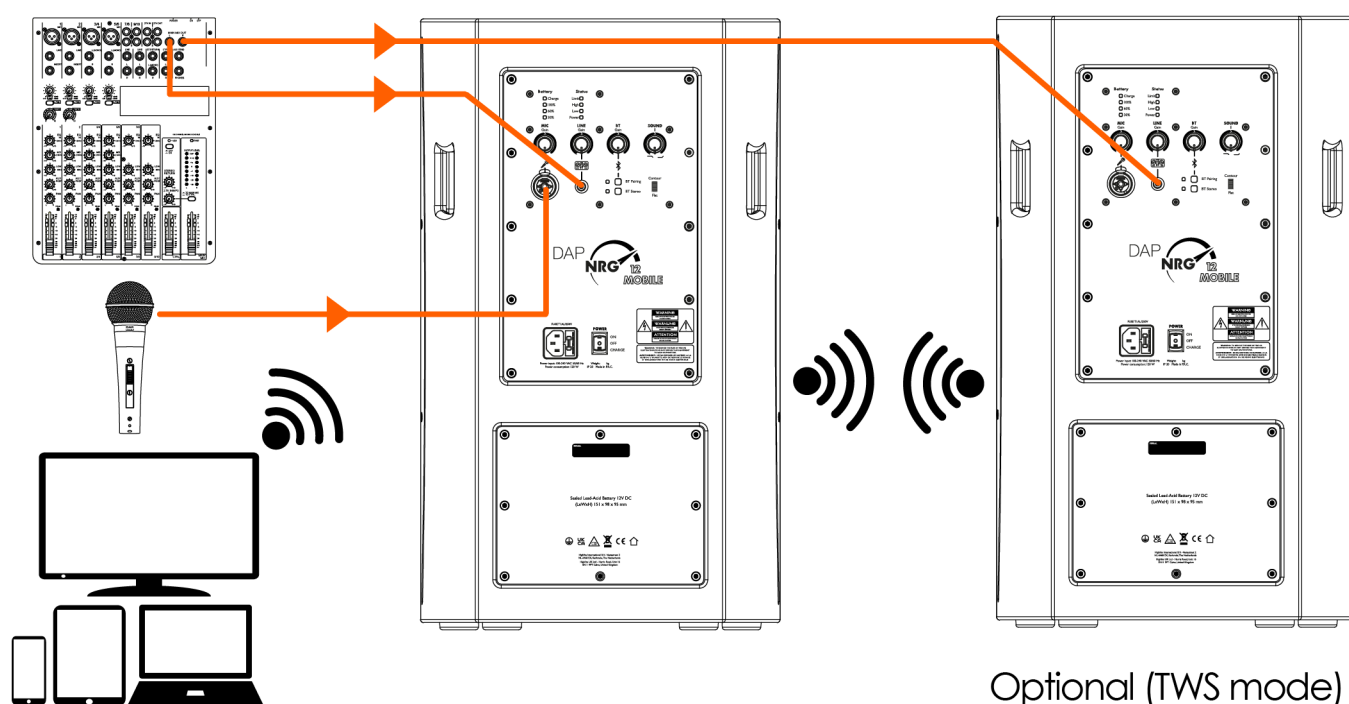
You can connect the following external devices to the NRG-12 Mobile:

- a microphone (see [5.1.1. Connecting a Microphone](#))
- a line-level device (see [5.1.2. Connecting a Line-level Device](#))
- a streaming source device (see [5.1.3. Connecting to a Streaming Source Device](#))

Notes:

- If you use one NRG-12 Mobile device, it will output only the left channel (mono signal).
- If you pair 2 NRG-12 Mobile devices (see [6.4.2. Linking to Another Device](#) on page 21), you can use them in TWS (True Wireless Stereo) mode. The speaker connected to the sound-streaming device outputs the left channel and the 2nd speaker outputs the right channel.
- Microphone and line signals are not transmitted via Bluetooth when using TWS.

Figure 11



5.1.1. Connecting a Microphone

- 01) Switch on the NRG-12 Mobile.
- 02) Make sure that the **microphone gain control (16)** is turned down.
- 03) Connect a microphone to the **combined microphone connector IN (15)**.
- 04) Switch on the microphone.
- 05) Adjust the **microphone gain control (16)** as necessary.

5.1.2. Connecting a Line-level Device

- 01) Switch on the NRG-12 Mobile.
- 02) Make sure that the **line-level gain control (05)** is turned down.
- 03) Connect a line-level device, such as a DJ mixer, to the **3,5 mm line-level connector IN (14)**.
- 04) Switch on the line-level device.
- 05) Adjust the **line-level gain control (05)** as necessary.

5.1.3. Connecting to a Streaming Source Device

- 01) Switch on the NRG-12 Mobile.
- 02) Make sure that the **Bluetooth gain control (06)** is turned down.
- 03) Pair a streaming source device (see [6.4.1. Pairing with a Streaming Source Device](#) on page 21) to the NRG-12 Mobile.
- 04) Adjust the **Bluetooth gain control (06)** as necessary.

5.2. Connecting to Power Supply



DANGER
Electric shock caused by short-circuit

The device accepts AC mains power at 100–240 V and 50/60 Hz. Do not supply power at any other voltage or frequency to the device.

This device falls under IEC protection class I. Make sure that the device is always electrically connected to the ground (earth).

Before connecting the device to the socket-outlet:

- Make sure that the power supply matches the input voltage specified on the information label on the device.
- Make sure that the socket-outlet has ground (earth) connection.

Connect the device to the socket-outlet with the power plug. Do not connect the device to a dimmer circuit, as this may damage the device.

6. Operation

6.1. Safety Instructions for Operation

**Attention**

This device must be used only for the purposes it is designed for.

This device is intended for professional use as a Bluetooth battery speaker. It can be used only indoors. This device is not suitable for households.

Any other use, not mentioned under intended use, is regarded as non-intended and incorrect use.

**Attention****Power supply**

Before connecting the device to the power supply, make sure that the current, voltage and frequency match the input voltage, current and frequency specified on the information label on the device.

6.2. Switching On/Off

The device has a power switch with 3 positions: ON, OFF and CHARGE (see [6.3. Charging the Battery](#) on page 20).

- To switch the device on using AC power, connect the power cable and press the **power switch (10)** in ON position.
- To switch the device on using battery power, disconnect the power cable and press the **power switch (10)** in ON position.
- To switch the device off, press the **power switch (10)** in OFF position.

6.3. Charging the Battery



DANGER

Incorrect handling of the battery can cause damage and injuries.

- Read and follow the safety instructions supplied with the battery before using the battery.
- Do not charge the battery in a sealed container.
- Do not use the battery in dusty environments.
- Do not use the battery if there is any corrosion of the terminals, leakage or deformation of the casing.
- Follow the instructions for charging supplied with the battery, as they may vary per product.

If a battery is installed (see [4.5. Battery Installation](#) on page 16), follow the steps below to charge the battery:

01) Connect a power cable to the **IEC power connector IN (12)**.

02) Set the **power switch (10)** to CHARGE position. The Charge LED in the **battery status LED indicators (17)** lights up to indicate that the battery is charging. (see [6.3.1. Battery Status LED Indicators](#) on page 20)

Note:

When the device is connected to power supply and the **power switch (10)** is set to ON position, the battery does not charge. The battery charges only when the **power switch (10)** is set to CHARGE position.

- Charge the battery before using the device for the first time.
- Do not deep discharge the battery as this will shorten the lifetime of the battery. Recharge the battery at least every 4 months.
- Make sure that the battery is charged to at least 50 % before storing the device.

6.3.1. Battery Status LED Indicators

The NRG-12 Mobile has 4 **battery status LED indicators (17)**. The LED indicators have the following statuses:

Battery

- Charge
- 100%
- 60%
- 30%

- Charge: The battery of the device is being charged
- 100 %: The battery of the device is fully charged
- 60 %: The battery level of the device is at 60 %
- 30 %: The battery level of the device is at 30 %

6.4. Bluetooth Connection

The NRG-12 Mobile has an integrated Bluetooth receiver with TWS (True Wireless Stereo). You can pair the NRG-12 Mobile with a personal computer or a smartphone with Bluetooth (a streaming source device) to stream sound. You can also link 2 NRG-12 Mobile devices to use them in TWS (True Wireless Stereo) mode.

Refer to the setup example (see [5.1. Setup Example](#) on page 17) for more information on how to connect the devices.

Note:

Make sure that there is clear line of sight between 2 Bluetooth devices.

The average effective range between Bluetooth devices is 10–30 m. The effective range depends on the receiver sensitivity, the transmit power, the antenna gain and the path loss. Path loss occurs over distance and is impacted by the environment in which the signal is being transmitted. Sources of interference between the transmitter and the receiver deteriorate the signal.

6.4.1. Pairing with a Streaming Source Device

You can pair the NRG-12 Mobile with a streaming source device via Bluetooth.

To pair the devices, follow the steps below:

- 01) Press and hold down the **Bluetooth pairing button (13)** until the LED indicator of the **Bluetooth pairing button (13)** starts flashing.
- 02) Switch on the Bluetooth functionality on the streaming source device and scan for available Bluetooth devices.
- 03) Select the NRG-12 Mobile from the list of available Bluetooth devices and pair the devices. When pairing is completed and the devices are connected the LED indicator of the **Bluetooth pairing button (13)** turns on.

To terminate the connection with a streaming source device via Bluetooth, press and hold down the **Bluetooth pairing button (13)** until the LED indicator of the **Bluetooth pairing button (13)** starts flashing. When the connection is terminated, the LED indicator of the **Bluetooth pairing button (13)** turns off.

Note:

If you switch the device off and on again, the device automatically reconnects to the last connected Bluetooth source device. If you want to pair the device to a different streaming source device, you need to terminate the current Bluetooth connection.

6.4.2. Linking to Another Device

You can link 2 NRG-12 Mobile devices via Bluetooth to stream sound in TWS (True Wireless Stereo) mode.

Press and hold down the **Bluetooth stereo button (09)** until the LED indicator of the **Bluetooth stereo button (09)** starts flashing to link the devices. When linking is completed and the devices are connected the LED indicator of the **Bluetooth stereo button (09)** turns on.

To unlink a device, press and hold down the **Bluetooth stereo button (09)** until the LED indicator of the **Bluetooth stereo button (09)** turns off.

Notes:

- If you switch the device off and on again, the device automatically reconnects to the last linked device. If you want to link the device to a different device, you need to terminate the current Bluetooth connection.
- If you unlink a device in stereo mode, the device connected to the streaming source device continues the streaming in mono mode.

6.5. Adjusting the Gain

The device has 3 gain controls for each input, and 1 control for the overall sound level.

Turn the controls to the left/right to respectively increase/decrease the output volume per input channel for the connected signal sources.

- Use the **line-level gain control (05)** to adjust the line signal volume.
- Use the **Bluetooth gain control (06)** to adjust the volume of the Bluetooth signal.
- Use the **microphone gain control (16)** to adjust the microphone volume.
- Use the **sound level control (07)** to adjust the overall sound balance.

6.6. DSP Settings

The NRG-12 Mobile has a **contour/flat switch (08)** to change the DSP (Digital Signal Processing) mode of the device.

- Move the **contour/flat switch (08)** up to the Contour position to use the Contour mode. This setting enhances the low and high tones, which makes the source signal sound full.
- Move the **contour/flat switch (08)** down to the Flat position to use the Flat mode. This setting outputs a linear sound not adjusted by the DSP.

6.7. LED Statuses

The device has 4 **status LED indicators (04)**. The LED indicators have the following statuses:

Status	
Limit <input type="checkbox"/>	• Limit: Illuminates prior to the amp clipping and distorting. Adjust the input levels so that this LED indicator illuminates only briefly during the highest peaks. If you operate the device with this indicator continuously on, this will result in degraded sound quality and could damage or reduce the service life of the components
High <input type="checkbox"/>	• High: Illuminates when the signal is high
Low <input type="checkbox"/>	• Low: Illuminates when the signal is low
Power <input type="checkbox"/>	• Power: Illuminates when the device is powered on

7. Troubleshooting

This troubleshooting guide contains solutions to problems which can be carried out by an ordinary person. The device does not contain user-serviceable parts.

Unauthorized modifications to the device will render the warranty void. Such modifications may result in injuries and material damage.

Refer servicing to instructed or skilled persons. Contact your Highlite International dealer in case the solution is not described in the table.

Problem	Probable cause(s)	Solution
The device does not function	No power to the device	<ul style="list-style-type: none"> Make sure that the device is connected to the power supply and switched on
	There is no battery in the device	<ul style="list-style-type: none"> Install a battery (see 4.5. Battery Installation on page 16)
	The battery is depleted	<ul style="list-style-type: none"> Charge the battery (see 6.3. Charging the Battery on page 20)
	The battery has reached the end of its life	<ul style="list-style-type: none"> Install a new battery
No sound	Bad connections	<ul style="list-style-type: none"> Make sure that the connections between the device and the external devices are correct
The device does not stream sound	There is no connection to the streaming source device	<ul style="list-style-type: none"> Make sure that the Bluetooth functionality on the streaming source device is turned on and the devices are paired
	The device is still paired to a different streaming source device	<ul style="list-style-type: none"> Terminate the previous connection and pair the device with the current streaming source device (see 6.4. Bluetooth Connection on page 21)
	The streaming source device is out of range	<ul style="list-style-type: none"> Move the streaming source device closer or remove any obstructions between the device and the streaming source device

8. Maintenance

8.1. Safety Instructions for Maintenance



DANGER
Electric shock caused by dangerous voltage inside

Disconnect power supply before servicing or cleaning.

8.2. Preventive Maintenance



Attention
Before use, examine the device visually for any defects.

Make sure that:

- The housing is not damaged.
- The power cable is not damaged and does not show any material fatigue.
- The terminals of the battery do not show signs of corrosion.
- The battery is not leaking.
- The casing of the battery is not damaged.

8.2.1. Basic Cleaning Instructions

To clean the device, follow the steps below:

- 01) Disconnect the device from the electrical power supply.
- 02) Allow the device to cool down for at least 5 minutes.
- 03) Clean the device with a soft, lint-free cloth.



Attention

- Do not immerse the device in liquid.
- Do not use alcohol or solvents.

8.3. Corrective Maintenance

The device does not contain user-serviceable parts. Do not open the device and do not modify the device.

Refer repairs and servicing to instructed or skilled persons. Contact your Highlite International dealer for more information.

8.3.1. Replacing the Fuse



DANGER Electric shock caused by short-circuit

- Do not bypass the thermostatic switch or fuses.
- Replace fuses only with the same type and rating.

Power surges, short-circuit or incorrect electrical power supply may cause a fuse to burn out. If the fuse burns out, the device will not function anymore. If this happens, follow the steps below:

- 01) Disconnect the device from the electrical power supply.
- 02) Allow the device to cool down for at least 15 minutes.
- 03) Pry up the fuse holder, integrated in the power connector, with a flat-blade screwdriver.
- 04) If the fuse is brown or unclear, it is burned out. Remove the old fuse.
- 05) Insert a new fuse in the fuse holder. Make sure that the type and the rating of the replacement fuse are the same as the ones specified on the information label of the product.
- 06) Replace the fuse holder in the opening and push it gently back in place.

9. Deinstallation, Transportation and Storage

9.1. Instructions for Deinstallation

**WARNING**

Incorrect deinstallation can cause serious injuries and damage of property.

- Always observe the national and site-specific regulations during deinstallation and derigging of the device.
- Wear personal protective equipment in compliance with the national and site-specific regulations.

9.2. Instructions for Transportation

- Use the original packaging to transport the device, if possible.
- Always observe the handling instructions printed on the outer carton box, for example: "Handle with care", "This side up", "Fragile".

9.3. Instructions for Transportation

- Use the original packaging to transport the device, if possible.
- Always observe the handling instructions printed on the outer carton box, for example: "Handle with care", "This side up", "Fragile".

Note:

There is a transport cover available for the NRG-12 Mobile (see [3.6. Optional Accessories](#) on page 12).

Contact your Highlite International dealer for more information.

9.4. Storage

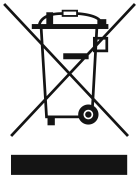
- Clean the device before storing (see [8.2.1. Basic Cleaning Instructions](#) on page 24).
- Store the device in the original packaging, if possible.

10. Disposal

This device operates with a battery. The battery is not supplied with the device.

- Remove the battery before disposal of the product.
- Do not dispose of the battery with the household waste.
- Follow the instructions for disposal as indicated on the battery.

Correct disposal of this product



Waste Electrical and Electronic Equipment

This symbol on the product, its packaging or documents indicates that the product shall not be treated as household waste. Dispose of this product by handing it to the respective collection point for recycling of electrical and electronic equipment. This is to avoid environmental damage or personal injury due to uncontrolled waste disposal. For more detailed information about recycling of this product contact the local authorities or the authorized dealer.

11. Approval



Hereby, Highlite International declares that the device NRG-12 Mobile, product code D3650, is in compliance with Directive 2014/53/EU (RED – Radio Equipment Directive).

The full text of the EU declaration of conformity is available on the respective product page on the website of Highlite International (www.highlite.com).

DAP