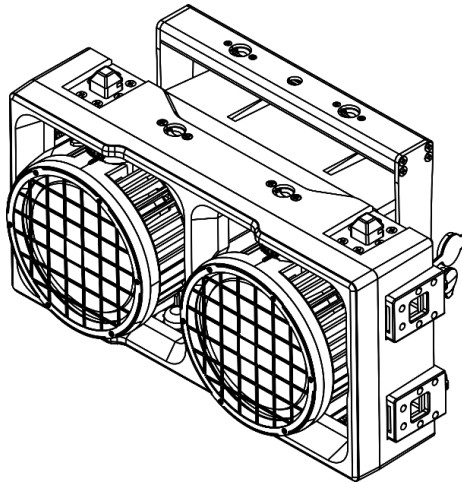




FOS Epic Blinder



This product manual contains important information about the safe installation and use of this projector. Please read and follow these instructions carefully and keep this manual in a safe place for future reference.

User manual

Please read the instructions carefully before use

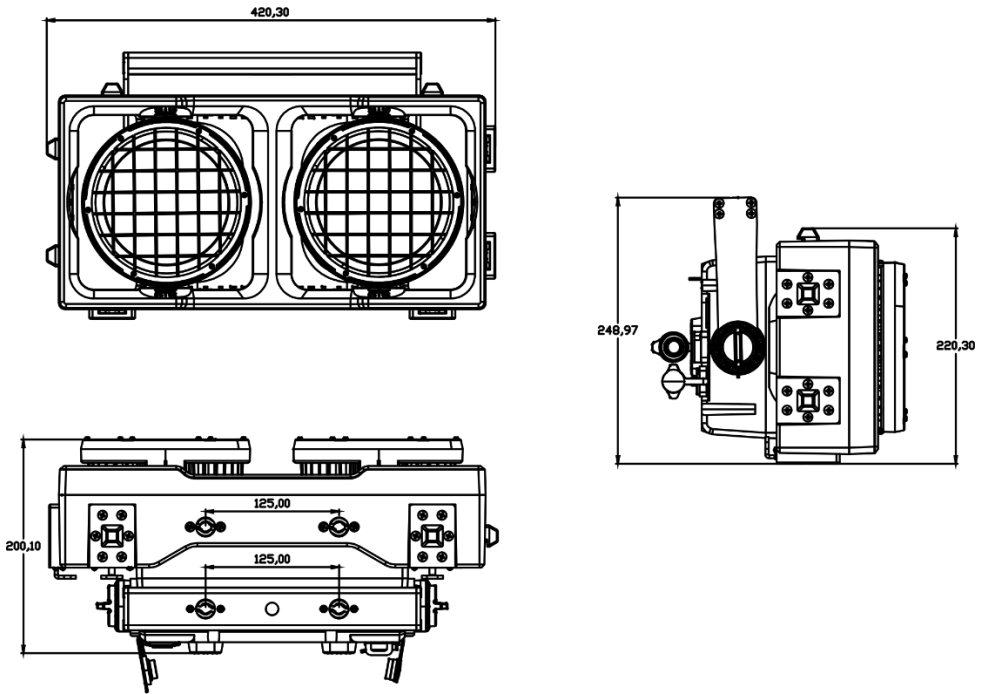
TABLE OF CONTENTS

- 1. Dimension..... 3
- 2. Safety Information..... 3
- 3. Preparing for installation..... 5
- 4. Parts identification and terminology..... 6
- 5. Installation..... 7
- 6. Connecting AC Power..... 8
- 7. Configuring the fixture..... 9
- 8. Connecting to a DMX control device..... 10
- 9. Configuring the fixture for DMX control..... 11
- 10. Cleaning..... 12
- 11. DMX Protocols..... 12
- 12. Control Menu..... 57
- 13. Specification..... 63

STATEMENT

The product has well capability and intact packing when leave factory. All of the user should comply with warning item and manual, any misuse cause of the damages are not included in our guarantee, and also can not be responsible for any malfunction & problem owing to ignore the manual.

1. Dimension



2. Safety Information



WARNING! Read the safety precautions in this section before unpacking, installing, powering or operating this product.

This luminaries are multi-environmental fixtures with an IP-rating of 65, intended for professional use only. They are not suitable for household use.

Review the following safety precautions carefully before installing or operating the fixture. This fixture must be installed in accordance with the applicable installation code by a person familiar with the construction and operation of the fixture and the hazards involved.

Preventing electric shock



WARNING! Risk of electric shock.

- Always power off/unplug the fixture before removing any covers.
- Ensure that the power is turned off when connecting the fixture to the AC mains supply.
- Ensure that the fixture is electrically connected to earth (ground).
- Do not apply power if the fixture is in any way damaged.
- Do not immerse the fixture in water or liquid.

Preventing burns and fire



WARNING! Take measures to prevent burns and fire.

- Install in a location that prevents accidental contact with the fixture.
- Install only in a well-ventilated space.
- Install at least 0.3 m (12 in.) away from objects to be illuminated.
- Install only in accordance with applicable building codes.
- Ensure a minimum clearance of 0.1 m (4 in.) around the cooling fans.
- Do not paint, cover or modify the fixture.
- Keep all flammable materials away from the fixture.
- Allow the fixture to cool for 15 minutes after operation, before touching it.
- CAUTION: Exterior surface temperature after 5 min. operation = 45 °C (113 °F). Steady state = 60 °C (140 °F).

Avoid personal injury



WARNING! Take measure to prevent personal injury.

- Do not look directly at the light source from close range.
- Take precautions to prevent injury due to falls when working at height.
- For permanent installation, ensure that the fixture is securely fastened to a load-bearing surface with suitable corrosion-resistant hardware.
- For temporary installation with clamps, ensure that the quarter-turn fasteners are turned fully and secured with a suitable safety cable. The cable must be approved for a safe working load (SWL) of 10 times the weight of the fixture, and it must have a minimum gauge of 3 mm.

3. Preparing for installation

Unpack the fixture and inspect it to ensure that it has not been damaged during transport.

The fixture is shipped with two quarter-turn brackets, that can be used to mount the fixture at elevation.

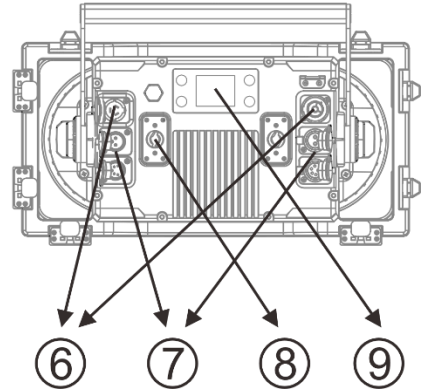
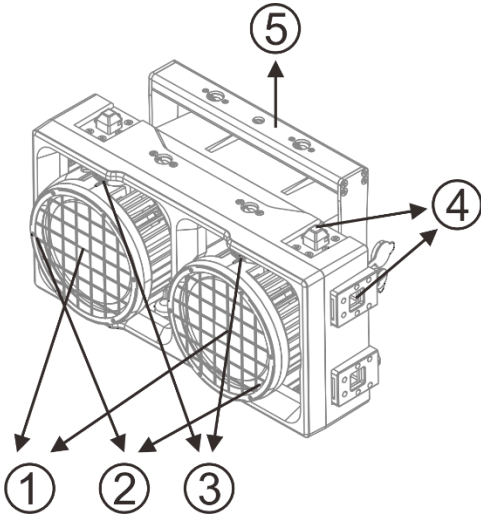
The fixture is IP65-rated, and is designed for use in wet locations. This means that it is protected from:

- Dust, to the degree that dust cannot enter the fixture in sufficient quantities as to interfere with its operation.
- Lower pressure jets of water from any direction.

When selecting a location for the fixture, ensure that:

- It is situated away from public thoroughfares and protected from contact with people.
- It is not immersed in water or exposed to high-pressure water jets.
- It has adequate ventilation.

4. Parts identification and terminology



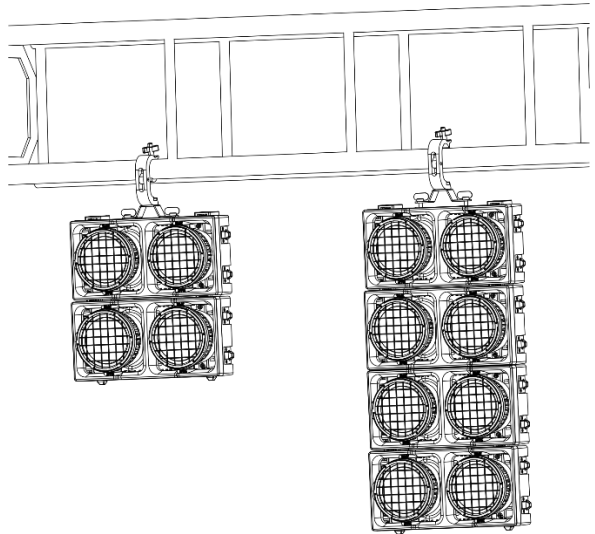
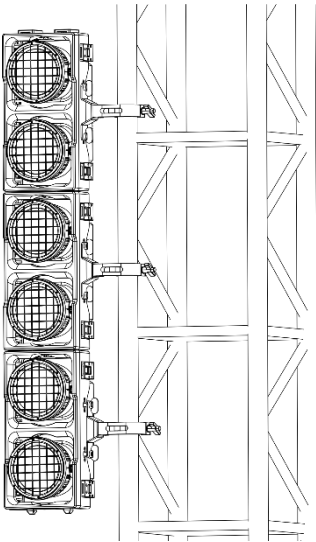
- ① Main Light Source RGBALC 6in1 leds
- ② LED Ring RGB 3in1
- ③ Angle scale
- ④ Combine Construct
- ⑤ Adjustable Handle
- ⑥ SEETRONIC True1 Power In&Out
- ⑦ SEETRONIC DMX In&Out
- ⑧ Fast Locks
- ⑨ LCD Touch Screen

5. Installation

The fixture may be installed in any orientation, but if installed horizontally with a downward beam-angle, water can potentially pool in the fan wells. Under normal operation the moisture will evaporate. However, in locations with high rainfall, you may wish to fabricate a rain shield above the fixture, or modify the position and orientation of the fixture to minimize pooling.

Two quarter-turn brackets are supplied with the fixture if it is to be flown above the ground. Rig the fixture to a support truss or structure using the supplied brackets and suitable clamps.

Fasten a safety cable (not shown) between the support structure and the attachment point on the fixture. The safety cable must be able to bear at least 10 times the weight of the fixture.



Please note that this is only part of the combination and hanging method, when using one hook as a hanging point, a maximum of 4 lights can be connected.

6. Connecting AC Power

The fixture can operate on any 100–240 V, 50/60 Hz AC mains power supply. It draws approximately 2 amps at full power. For permanent installation, have a qualified electrician wire the mains cable directly to a suitable branch circuit.

The junction's ingress protection (IP) rating must be suitable for the location. For temporary installation, the mains cable may be fitted with a grounded connector intended for exterior use.

When installing standard type C circuit breakers there will be no limitations due to the fixture in-rush current. Due to the nominal current of the fixture, ensure that no more than:

4 fixtures are connected through the same type C, 10A circuit breaker.

7 fixtures are connected through the same type C, 16A circuit breaker.

The fixture must be grounded/earthed and be able to be isolated from AC power. The AC power supply must incorporate a fuse or circuit breaker for fault protection.

After connecting the fixture to power, run the on-board test, using the "Fixture Text" menu, to ensure that the fixture and each LED are functioning correctly. See "Control menu" on page 58.

CAUTION: Do not open the fixture to replace the supplied power cable, or connect the fixture to an electrical dimmer system, as this can damage it.

7. Configuring the fixture

Set up the fixture using the control panel and LCD display at the arm side of the fixture.

Navigate the menus and options using the arrow buttons and select items using the Enter button. The options available are listed in "Control menu" on page 58. After powering on, the display shows the currently selected operating mode and other information.

The fixture is set by default to be controlled in DMX mode.

Master/Slave configuration

You can set a fixture to operate as master fixture to another fixture (which then becomes a slave fixture), or an entire group of fixtures (which then becomes slave fixtures). The assigned slave fixture(s) will mimic the settings of the master fixture. Use the "Auto Program -> Auto Color / Auto Fade" menu to set your fixture as master fixture, then other fixtures set to DMX mode as slave fixture.

Setting a static color manually

The fixture can be configured to display a predefined and static color using the "Manual Color" (see "Control menu" on page 58).

It may suit your needs when you without a DMX controller to do the color mixing.

Using stand-alone operation

Stand-alone operation is where the fixture is not connected to a control device, but is preprogrammed with 2 modes (Auto Color, Auto Fade), that play continuously in a loop, the run speed of "Auto Color", "Auto Fade" are adjustable.

To define a stand-alone program, use the "Auto Program" menus (see "Control menu" on page 58).

8. Connecting to a DMX control device

The fixture is controllable using a DMX control device and it can be connected using a DMX cable.

If using a cabled DMX system, connect the DMX in cable (with male 3-pin XLR plug) and out cable (with female 3-pin XLR plug) to the DMX data link.

Terminate the DMX out cable of the last fixture in the data link. For outdoor installations, use only IP-rated XLR connectors suitable for outdoor use.

The DMX512 is widely used in intelligent lighting control, with a DMX 512 controller. connect several lights together, DMX in and DMX out, 3 pin XLR connectors: Pin 1: GND, Pin 2: Negative signal (-), Pin 3: Positive signal (+)

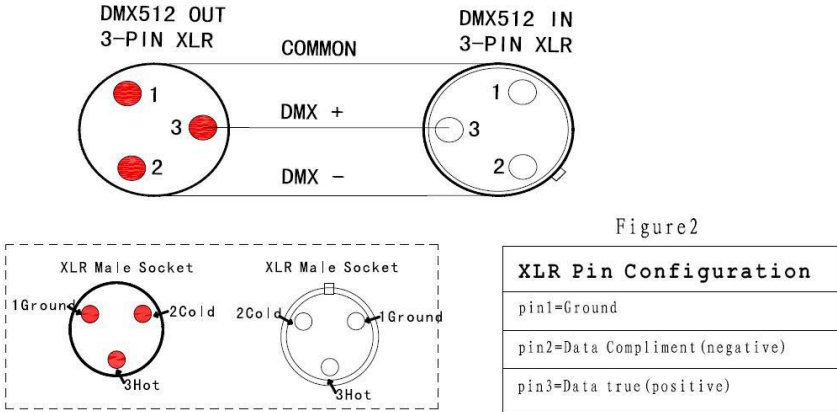


Figure2

9. Configuring the fixture for DMX control

About DMX

The fixture can be controlled using signals sent by a DMX controller on a number of channels (which varies depending on the DMX mode that has been set).

The first channel used to receive data from a DMX control device is known as the DMX start address. Each fixture must have a DMX start address set. For example, if a fixture has a DMX address of 10 and it is in 4-channel DMX mode, then it uses channels 10, 11, 12 and 13. The following fixture in the DMX chain could then be set to a DMX address of 14. If two or more DMX fixtures of the same type have the same DMX address, then they will mimic each other's behaviour. Incorrect settings will result in unpredictable responses to the lighting controller.

Setting the DMX address

The DMX address can be seen on the main screen. To change the address setting, press the up arrow to increase the address, or the down arrow to decrease the setting. When the desired address is displayed, press Enter to save the setting.

Note that channel spacing is determined by the DMX mode.

See the "DMX protocols" on page 12 for specific DMX control values.

Setting the DMX mode

Using the "DMX Channel Mode" menu available from the control panel, specify the DMX mode that provides the fixture controls that you require, confirm chosen mode by pressing 'Enter'.

10. Cleaning

To maintain optimal performance, regular cleaning is essential. Cleaning schedules will vary depending on the operating environment, and the installation should therefore be checked at frequent intervals within the first few weeks of operation to see whether cleaning is necessary. This procedure will allow you to assess cleaning requirements in your particular situation. Clean the fixture using a soft cloth dampened with a solution of water and a mild detergent. Do not use products that contain solvents, abrasives or caustic agents for cleaning, as they can cause damage to both hardware, cables and connectors.

11. DMX protocols

1CH DWE (Color temperature according to selected on the menu)

CH	Function	Value	Remark
1	Dimmer	000-255	Main dimmer

2CH DWE (Color temperature according to selected on the menu)

CH	Function	Value	Remark
1	Dimmer 1	000-255	0-100%
2	Dimmer 2	000-255	0-100%

4CH DWE (Color temperature according to selected on the menu)

CH	Function	Value	Remark
1	Dimmer	000-255	Main dimmer
2	Dimmer Curve	000-051	No Function - Current Preset from Menu Settings
		052-101	Linear Dimmer Curve
		102-152	Square dimmer curve
		153-203	Anti-square dimmer curve

		204-255	S-Curve Dimmer Curve
3	Dimmer Response	000-063	No Function - Current Preset from Menu Settings
		064-127	LED / fast
		128-191	Medium
		192-255	Halogen / slow
4	Redshift	000-084	No Function - Current Preset from Menu Settings
		085-170	Redshift Off
		171-255	Redshift On

9CH DWE+			
CH	Function	Value	Remark
1	Master Dimmer	000-255	0-100%
2	Strobe	000-019	Strobe close
		020-024	Strobe open
		025-064	Normal strobe (fast->slow)
		065-069	Strobe open
		070-109	Opening pulse (fast->slow)
		110-114	Strobe open
		115-154	Closing pulse (fast->slow)
		155-159	Strobe open
		160-199	Random strobe (fast->slow)
		200-204	Strobe open
		205-244	Lightning strobe (fast->slow)
245-255	Strobe open		
3	Red	000-255	0-100%
4	Green	000-255	0-100%
5	Blue	000-255	0-100%
6	CTC (affects RGB)	000-004	No Function
		005-255	1800K-8500K linear in 100K every 4 steps
7	Dimmer Curve	000-051	No Function - Current Preset from Menu Settings

		052-101	Linear Dimmer Curve
		102-152	Square dimmer curve
		153-203	Anti-square dimmer curve
		204-255	S-Curve Dimmer Curve
8	Dimmer Response	000-063	No Function - Current Preset from Menu Settings
		064-127	LED / fast
		128-191	Medium
		192-255	Halogen / slow
9	Redshift	000-084	No Function - Current Preset from Menu Settings
		085-170	Redshift Off
		171-255	Redshift On

6CH STROBE MODE

CH	Function	Value	Remark
1	Master Dimmer	000-255	0-100%
2	Strobe	000-019	Strobe close
		020-024	Strobe open
		025-064	Normal strobe (fast->slow)
		065-069	Strobe open
		070-109	Opening pulse (fast->slow)
		110-114	Strobe open
		115-154	Closing pulse (fast->slow)
		155-159	Strobe open
		160-199	Random strobe (fast->slow)
		200-204	Strobe open
		205-244	Lightning strobe (fast->slow)
245-255	Strobe open		
3	Duration	000-255	Only affects to channel 2 – Normal strobe 025-064
4	Dimmer 1	000-255	0-100%
5	Dimmer 2	000-255	0-100%
6	CTC (affects RGB)	000-004	No Function

		005-255	1800K-8500K linear in 100K every 4 steps
--	--	---------	--

6CH RGB			
CH	Function	Value	Remark
1	Red 1	000-255	0-100%
2	Green 1	000-255	0-100%
3	Blue 1	000-255	0-100%
4	Red 2	000-255	0-100%
5	Green 2	000-255	0-100%
6	Blue 2	000-255	0-100%

10CH BASIC RGB			
CH	Function	Value	Remark
1	Master Dimmer	000-255	0-100%
2	Strobe	000-019	Strobe close
		020-024	Strobe open
		025-064	Normal strobe (fast->slow)
		065-069	Strobe open
		070-109	Opening pulse (fast->slow)
		110-114	Strobe open
		115-154	Closing pulse (fast->slow)
		155-159	Strobe open
		160-199	Random strobe (fast->slow)
		200-204	Strobe open
		205-244	Lightning strobe (fast->slow)
		245-255	Strobe open
3	Red	000-255	0-100%
4	Green	000-255	0-100%
5	Blue	000-255	0-100%
6	CTC (affects RGB)	000-004	No Function
		005-255	1800K-8500K linear in 100K every 4 steps

7	Tint (affects CTC and RGB)	001-127	Magenta->Neutral
		128	Neutral
		129-255	Neutral->Green
8	Color Macro (override RGB/CTC)	001-255	Please see color macro chart
9	Color Macro Cross – fade (Transition Time between Color Macros)	000-005	No function
		006-255	Time is getting longer
10	Device Settings (Hold 3s to activate, but for “The Current Setting Invalid” function needs to hold 10s)	000-029	No function
		030-034	8 Bit Resolution
		035-039	16 Bit Resolution
		040-044	No function
		045-049	DMX Fail Blackout
		050-054	DMX Fail Hold
		055-059	DMX Fail – Emergency Light
		060-064	No function
		065-069	Linear Dimmer Curve
		070-074	Square Dimming Curve
		075-079	Anti-Square Dimming Curve
		080-084	S-Curve Dimmer Curve
		085-089	No function
		090-094	LED (Fast) Dimmer Response
		095-099	Medium Dimmer Response
		100-104	Halogen (Slow) Dimmer Response
		105-109	No function
		110-114	Redshift On
		115-119	Redshift Off
		120-139	No function
140-144	LED Frequency 1kHz		
145-149	LED Frequency 2kHz		
150-154	LED Frequency 4kHz		
155-159	LED Frequency 12kHz		

		160-164	LED Frequency 16kHz
		165-169	LED Frequency 25kHz
		170-174	No function
		175-179	Fan Auto
		180-184	Fan Silent
		185-189	Fan Off
		190-194	Fan High Power
		195-199	No function
		200-214	Invert Mapping Off
		215-219	Invert Mapping On
		220-224	Aux Light 1 Reverse Off
		225-229	Aux Light 1 Reverse On
		230-234	Aux Light 2 Reverse Off
		235-239	Aux Light 2 Reverse On
		240-244	LED Mode – Half Power
		245-249	LED Mode – Full Power
		250	The Current Setting Invalid
		251-255	No function

14CH BASIC RGB			
CH	Function	Value	Remark
1	Master Dimmer	000-255	0-100%
2	Master Dimmer Fine	000-255	0-100%
3	Strobe	000-019	Strobe close
		020-024	Strobe open
		025-064	Normal strobe (fast->slow)
		065-069	Strobe open
		070-109	Opening pulse (fast->slow)
		110-114	Strobe open
		115-154	Closing pulse (fast->slow)
		155-159	Strobe open
		160-199	Random strobe (fast->slow)
		200-204	Strobe open

		205-244	Lightning strobe (fast->slow)
		245-255	Strobe open
4	Red	000-255	0-100%
5	Red Fine	000-255	0-100%
6	Green	000-255	0-100%
7	Green Fine	000-255	0-100%
8	Blue	000-255	0-100%
9	Blue Fine	000-255	0-100%
10	CTC (affects RGB)	000-004	No Function
		005-255	1800K-8500K linear in 100K every 4 steps
11	Tint (affects CTC and RGB)	001-127	Magenta->Neutral
		128	Neutral
		129-255	Neutral->Green
12	Color Macro (override RGB/CTC)	001-255	Please see color macro chart
13	Color Macro Cross – fade (Transition Time between Color Macros)	000-005	No function
		006-255	Time is getting longer
14	Device Settings (Hold 3s to activate, but for “The Current Setting Invalid” function needs to hold 10s)	000-029	No function
		030-034	8 Bit Resolution
		035-039	16 Bit Resolution
		040-044	No function
		045-049	DMX Fail Blackout
		050-054	DMX Fail Hold
		055-059	DMX Fail – Emergency Light
		060-064	No function
		065-069	Linear Dimmer Curve
		070-074	Square Dimming Curve
		075-079	Anti-Square Dimming Curve
		080-084	S-Curve Dimmer Curve
		085-089	No function

		090-094	LED (Fast) Dimmer Response
		095-099	Medium Dimmer Response
		100-104	Halogen (Slow) Dimmer Response
		105-109	No function
		110-114	Redshift On
		115-119	Redshift Off
		120-139	No function
		140-144	LED Frequency 1kHz
		145-149	LED Frequency 2kHz
		150-154	LED Frequency 4kHz
		155-159	LED Frequency 12kHz
		160-164	LED Frequency 16kHz
		165-169	LED Frequency 25kHz
		170-174	No function
		175-179	Fan Auto
		180-184	Fan Silent
		185-189	Fan Off
		190-194	Fan High Power
		195-199	No function
		200-214	Invert Mapping Off
		215-219	Invert Mapping On
		220-224	Aux Light 1 Reverse Off
		225-229	Aux Light 1 Reverse On
		230-234	Aux Light 2 Reverse Off
		235-239	Aux Light 2 Reverse On
		240-244	LED Mode – Half Power
		245-249	LED Mode – Full Power
		250	The Current Setting Invalid
		251-255	No function

13CH STANDARD RGB

CH	Function	Value	Remark
1	Master Dimmer	000-255	0-100%

2	Strobe	000-019	Strobe close
		020-024	Strobe open
		025-064	Normal strobe (fast->slow)
		065-069	Strobe open
		070-109	Opening pulse (fast->slow)
		110-114	Strobe open
		115-154	Closing pulse (fast->slow)
		155-159	Strobe open
		160-199	Random strobe (fast->slow)
		200-204	Strobe open
		205-244	Lightning strobe (fast->slow)
245-255	Strobe open		
3	Dimmer 1	000-255	0-100%
4	Red 1	000-255	0-100%
5	Green 1	000-255	0-100%
6	Blue 1	000-255	0-100%
7	Dimmer 2	000-255	0-100%
8	Red 2	000-255	0-100%
9	Green 2	000-255	0-100%
10	Blue 2	000-255	0-100%
11	CTC (affects RGB 1+2)	000-004	No Function
		005-255	1800K-8500K linear in 100K every 4 steps
12	Tint (affects CTC and RGB 1+2)	001-127	Magenta->Neutral
		128	Neutral
		129-255	Neutral->Green
13	Device Settings (Hold 3s to activate, but for "The Current Setting Invalid" function needs to hold 10s)	000-029	No function
		030-034	8 Bit Resolution
		035-039	16 Bit Resolution
		040-044	No function
		045-049	DMX Fail Blackout
		050-054	DMX Fail Hold
		055-059	DMX Fail – Emergency Light

	060-064	No function
	065-069	Linear Dimmer Curve
	070-074	Square Dimming Curve
	075-079	Anti-Square Dimming Curve
	080-084	S-Curve Dimmer Curve
	085-089	No function
	090-094	LED (Fast) Dimmer Response
	095-099	Medium Dimmer Response
	100-104	Halogen (Slow) Dimmer Response
	105-109	No function
	110-114	Redshift On
	115-119	Redshift Off
	120-139	No function
	140-144	LED Frequency 1kHz
	145-149	LED Frequency 2kHz
	150-154	LED Frequency 4kHz
	155-159	LED Frequency 12kHz
	160-164	LED Frequency 16kHz
	165-169	LED Frequency 25kHz
	170-174	No function
	175-179	Fan Auto
	180-184	Fan Silent
	185-189	Fan Off
	190-194	Fan High Power
	195-199	No function
	200-214	Invert Mapping Off
	215-219	Invert Mapping On
	220-224	Aux Light 1 Reverse Off
	225-229	Aux Light 1 Reverse On
	230-234	Aux Light 2 Reverse Off
	235-239	Aux Light 2 Reverse On
	240-244	LED Mode – Half Power
	245-249	LED Mode – Full Power

		250	The Current Setting Invalid
		251-255	No function

22CH STANDRAD RGB			
CH	Function	Value	Remark
1	Master Dimmer	000-255	0-100%
2	Master Dimmer Fine	000-255	0-100%
3	Strobe	000-019	Strobe close
		020-024	Strobe open
		025-064	Normal strobe (fast->slow)
		065-069	Strobe open
		070-109	Opening pulse (fast->slow)
		110-114	Strobe open
		115-154	Closing pulse (fast->slow)
		155-159	Strobe open
		160-199	Random strobe (fast->slow)
		200-204	Strobe open
		205-244	Lightning strobe (fast->slow)
245-255	Strobe open		
4	Dimmer 1	000-255	0-100%
5	Dimmer 1 Fine	000-255	0-100%
6	Red 1	000-255	0-100%
7	Red 1 Fine	000-255	0-100%
8	Green 1	000-255	0-100%
9	Green 1 Fine	000-255	0-100%
10	Blue 1	000-255	0-100%
11	Blue 1 Fine	000-255	0-100%
12	Dimmer 2	000-255	0-100%
13	Dimmer 2 Fine	000-255	0-100%
14	Red 2	000-255	0-100%
15	Red 2 Fine	000-255	0-100%
16	Green 2	000-255	0-100%
17	Green 2 Fine	000-255	0-100%

18	Blue 2	000-255	0-100%
19	Blue 2 Fine	000-255	0-100%
20	CTC (affects RGB 1+2)	000-004	No Function
		005-255	1800K-8500K linear in 100K every 4 steps
21	Tint (affects CTC and RGB 1+2)	001-127	Magenta->Neutral
		128	Neutral
		129-255	Neutral->Green
22	Device Settings (Hold 3s to activate, but for "The Current Setting Invalid" function needs to hold 10s)	000-029	No function
		030-034	8 Bit Resolution
		035-039	16 Bit Resolution
		040-044	No function
		045-049	DMX Fail Blackout
		050-054	DMX Fail Hold
		055-059	DMX Fail – Emergency Light
		060-064	No function
		065-069	Linear Dimmer Curve
		070-074	Square Dimming Curve
		075-079	Anti-Square Dimming Curve
		080-084	S-Curve Dimmer Curve
		085-089	No function
		090-094	LED (Fast) Dimmer Response
		095-099	Medium Dimmer Response
		100-104	Halogen (Slow) Dimmer Response
		105-109	No function
		110-114	Redshift On
		115-119	Redshift Off
		120-139	No function
		140-144	LED Frequency 1kHz
145-149	LED Frequency 2kHz		
150-154	LED Frequency 4kHz		
155-159	LED Frequency 12kHz		
160-164	LED Frequency 16kHz		

		165-169	LED Frequency 25kHz
		170-174	No function
		175-179	Fan Auto
		180-184	Fan Silent
		185-189	Fan Off
		190-194	Fan High Power
		195-199	No function
		200-214	Invert Mapping Off
		215-219	Invert Mapping On
		220-224	Aux Light 1 Reverse Off
		225-229	Aux Light 1 Reverse On
		230-234	Aux Light 2 Reverse Off
		235-239	Aux Light 2 Reverse On
		240-244	LED Mode – Half Power
		245-249	LED Mode – Full Power
		250	The Current Setting Invalid
		251-255	No function

24CH EXTENDED RGB			
CH	Function	Value	Remark
1	Master Dimmer	000-255	0-100%
2	Strobe	000-019	Strobe close
		020-024	Strobe open
		025-064	Normal strobe (fast->slow)
		065-069	Strobe open
		070-109	Opening pulse (fast->slow)
		110-114	Strobe open
		115-154	Closing pulse (fast->slow)
		155-159	Strobe open
		160-199	Random strobe (fast->slow)
		200-204	Strobe open
		205-244	Lightning strobe (fast->slow)

		245-255	Strobe open
3	Duration	000-255	Only affects to channel 2 – Normal strobe 025-064
4	Dimmer 1	000-255	0-100%
5	Red 1	000-255	0-100%
6	Green 1	000-255	0-100%
7	Blue 1	000-255	0-100%
8	CTC 1 (affects RGB 1)	000-004	No Function
		005-255	1800K-8500K linear in 100K every 4 steps
9	Tint 1 (affects CTC 1 and RGB 1)	001-127	Magenta->Neutral
		128	Neutral
		129-255	Neutral->Green
10	Color Macro 1 (override RGB 1 / CTC 1)	001-255	Please see color macro chart
11	Color Macro Cross – fade 1 (Transition Time between Color Macros 1)	000-005	No function
		006-255	Time is getting longer
12	Dimmer 2	000-255	0-100%
13	Red 2	000-255	0-100%
14	Green 2	000-255	0-100%
15	Blue 2	000-255	0-100%
16	CTC 2 (affects RGB 2)	000-004	No Function
		005-255	1800K-8500K linear in 100K every 4 steps
17	Tint 2 (affects CTC 2 and RGB 2)	001-127	Magenta->Neutral
		128	Neutral
		129-255	Neutral->Green
18	Color Macro 2 (override RGB 2 / CTC 2)	001-255	Please see color macro chart
19	Color Macro Cross –	000-005	No function

	fade 2 (Transition Time between Color Macros 2)	006-255	Time is getting longer
20	Effect (override RGB 1+2 / CTC 1+2, Color Macro 1+2)	000-015	No function
		016-045	Effect 1 (slow->fast)
		046-075	Effect 2 (slow->fast)
		076-105	Effect 3 (slow->fast)
		106-135	Effect 4 (slow->fast)
		136-165	Effect 5 (slow->fast)
		166-195	Effect 6 (slow->fast)
		196-225	Effect 7 (slow->fast)
		226-255	Effect 8 (slow->fast)
21	Dimmer Curve	000-051	No Function - Current Preset from Menu Settings
		052-101	Linear Dimmer Curve
		102-152	Square dimmer curve
		153-203	Anti-square dimmer curve
		204-255	S-Curve Dimmer Curve
22	Dimmer Response	000-063	No Function - Current Preset from Menu Settings
		064-127	LED / fast
		128-191	Medium
		192-255	Halogen / slow
23	Redshift	000-084	No Function - Current Preset from Menu Settings
		085-170	Redshift Off
		171-255	Redshift On
24	Device Settings (Hold 3s to activate, but for "The Current Setting Invalid" function needs to hold 10s)	000-029	No function
		030-034	8 Bit Resolution
		035-039	16 Bit Resolution
		040-044	No function
		045-049	DMX Fail Blackout
		050-054	DMX Fail Hold

	055-059	DMX Fail – Emergency Light
	060-064	No function
	065-069	Linear Dimmer Curve
	070-074	Square Dimming Curve
	075-079	Anti-Square Dimming Curve
	080-084	S-Curve Dimmer Curve
	085-089	No function
	090-094	LED (Fast) Dimmer Response
	095-099	Medium Dimmer Response
	100-104	Halogen (Slow) Dimmer Response
	105-109	No function
	110-114	Redshift On
	115-119	Redshift Off
	120-139	No function
	140-144	LED Frequency 1kHz
	145-149	LED Frequency 2kHz
	150-154	LED Frequency 4kHz
	155-159	LED Frequency 12kHz
	160-164	LED Frequency 16kHz
	165-169	LED Frequency 25kHz
	170-174	No function
	175-179	Fan Auto
	180-184	Fan Silent
	185-189	Fan Off
	190-194	Fan High Power
	195-199	No function
	200-214	Invert Mapping Off
	215-219	Invert Mapping On
	220-224	Aux Light 1 Reverse Off
	225-229	Aux Light 1 Reverse On
	230-234	Aux Light 2 Reverse Off
	235-239	Aux Light 2 Reverse On
	240-244	LED Mode – Half Power

		245-249	LED Mode – Full Power
		250	The Current Setting Invalid
		251-255	No function

33CH EXTENDED RGB			
CH	Function	Value	Remark
1	Master Dimmer	000-255	0-100%
2	Master Dimmer Fine	000-255	0-100%
3	Strobe	000-019	Strobe close
		020-024	Strobe open
		025-064	Normal strobe (fast->slow)
		065-069	Strobe open
		070-109	Opening pulse (fast->slow)
		110-114	Strobe open
		115-154	Closing pulse (fast->slow)
		155-159	Strobe open
		160-199	Random strobe (fast->slow)
		200-204	Strobe open
		205-244	Lightning strobe (fast->slow)
		245-255	Strobe open
4	Duration	000-255	Only affects to channel 2 – Normal strobe 025-064
5	Dimmer 1	000-255	0-100%
6	Dimmer 1 Fine	000-255	0-100%
7	Red 1	000-255	0-100%
8	Red 1 Fine	000-255	0-100%
9	Green 1	000-255	0-100%
10	Green 1 Fine	000-255	0-100%
11	Blue 1	000-255	0-100%
12	Blue 1 Fine	000-255	0-100%
13	CTC 1 (affects RGB 1)	000-004	No Function
		005-255	1800K-8500K linear in 100K every 4 steps

14	Tint 1 (affects CTC 1 and RGB 1)	001-127	Magenta->Neutral
		128	Neutral
		129-255	Neutral->Green
15	Color Macro 1 (override RGB 1 / CTC 1)	001-255	Please see color macro chart
16	Color Macro Cross – fade 1 (Transition Time between Color Macros 1)	000-005	No function
		006-255	Time is getting longer
17	Dimmer 2	000-255	0-100%
18	Dimmer 2 Fine	000-255	0-100%
19	Red 2	000-255	0-100%
20	Red 2 Fine	000-255	0-100%
21	Green 2	000-255	0-100%
22	Green 2 Fine	000-255	0-100%
23	Blue 2	000-255	0-100%
24	Blue 2 Fine	000-255	0-100%
25	CTC 2 (affects RGB 2)	000-004	No Function
		005-255	1800K-8500K linear in 100K every 4 steps
26	Tint 2 (affects CTC 2 and RGB 2)	001-127	Magenta->Neutral
		128	Neutral
		129-255	Neutral->Green
27	Color Macro 2 (override RGB 2 / CTC 2)	001-255	Please see color macro chart
28	Color Macro Cross – fade 2 (Transition Time between Color Macros 2)	000-005	No function
		006-255	Time is getting longer
29	Effect (override RGB 1+2 /	000-015	No function
		016-045	Effect 1 (slow->fast)

	CTC 1+2, Color Macro 1+2)	046-075	Effect 2 (slow->fast)
		076-105	Effect 3 (slow->fast)
		106-135	Effect 4 (slow->fast)
		136-165	Effect 5 (slow->fast)
		166-195	Effect 6 (slow->fast)
		196-225	Effect 7 (slow->fast)
		226-255	Effect 8 (slow->fast)
30	Dimmer Curve	000-051	No Function - Current Preset from Menu Settings
		052-101	Linear Dimmer Curve
		102-152	Square dimmer curve
		153-203	Anti-square dimmer curve
		204-255	S-Curve Dimmer Curve
31	Dimmer Response	000-063	No Function - Current Preset from Menu Settings
		064-127	LED / fast
		128-191	Medium
		192-255	Halogen / slow
32	Redshift	000-084	No Function - Current Preset from Menu Settings
		085-170	Redshift Off
		171-255	Redshift On
33	Device Settings (Hold 3s to activate, but for "The Current Setting Invalid" function needs to hold 10s)	000-029	No function
		030-034	8 Bit Resolution
		035-039	16 Bit Resolution
		040-044	No function
		045-049	DMX Fail Blackout
		050-054	DMX Fail Hold
		055-059	DMX Fail – Emergency Light
		060-064	No function
		065-069	Linear Dimmer Curve
		070-074	Square Dimming Curve
		075-079	Anti-Square Dimming Curve
		080-084	S-Curve Dimmer Curve

	085-089	No function
	090-094	LED (Fast) Dimmer Response
	095-099	Medium Dimmer Response
	100-104	Halogen (Slow) Dimmer Response
	105-109	No function
	110-114	Redshift On
	115-119	Redshift Off
	120-139	No function
	140-144	LED Frequency 1kHz
	145-149	LED Frequency 2kHz
	150-154	LED Frequency 4kHz
	155-159	LED Frequency 12kHz
	160-164	LED Frequency 16kHz
	165-169	LED Frequency 25kHz
	170-174	No function
	175-179	Fan Auto
	180-184	Fan Silent
	185-189	Fan Off
	190-194	Fan High Power
	195-199	No function
	200-214	Invert Mapping Off
	215-219	Invert Mapping On
	220-224	Aux Light 1 Reverse Off
	225-229	Aux Light 1 Reverse On
	230-234	Aux Light 2 Reverse Off
	235-239	Aux Light 2 Reverse On
	240-244	LED Mode – Half Power
	245-249	LED Mode – Full Power
	250	The Current Setting Invalid
	251-255	No function

12CH DIRECT

CH	Function	Value	Remark
1	Red 1	000-255	0-100%
2	Green 1	000-255	0-100%
3	Blue 1	000-255	0-100%
4	Lemon 1	000-255	0-100%
5	Amber 1	000-255	0-100%
6	Cyan 1	000-255	0-100%
7	Red 2	000-255	0-100%
8	Green 2	000-255	0-100%
9	Blue 2	000-255	0-100%
10	Lemon 2	000-255	0-100%
11	Amber 2	000-255	0-100%
12	Cyan 2	000-255	0-100%

13CH DIRECT

CH	Function	Value	Remark
1	Master Dimmer	000-255	0-100%
2	Strobe	000-019	Strobe close
		020-024	Strobe open
		025-064	Normal strobe (fast->slow)
		065-069	Strobe open
		070-109	Opening pulse (fast->slow)
		110-114	Strobe open
		115-154	Closing pulse (fast->slow)
		155-159	Strobe open
		160-199	Random strobe (fast->slow)
		200-204	Strobe open
		205-244	Lightning strobe (fast->slow)
		245-255	Strobe open
3	Red	000-255	0-100%
4	Green	000-255	0-100%
5	Blue	000-255	0-100%

6	Lemon	000-255	0-100%
7	Amber	000-255	0-100%
8	Cyan	000-255	0-100%
9	CTC (affects RGBALC)	000-004	No Function
		005-255	1800K-8500K linear in 100K every 4 steps
10	Tint (affects CTC and RGLAC)	001-127	Magenta->Neutral
		128	Neutral
		129-255	Neutral->Green
11	Color Macro (override RGLAC/CTC)	001-255	Please see color macro chart
12	Color Macro Cross – fade (Transition Time between Color Macros)	000-005	No function
		006-255	Time is getting longer
13	Device Settings (Hold 3s to activate, but for "The Current Setting Invalid" function needs to hold 10s)	000-029	No function
		030-034	8 Bit Resolution
		035-039	16 Bit Resolution
		040-044	No function
		045-049	DMX Fail Blackout
		050-054	DMX Fail Hold
		055-059	DMX Fail – Emergency Light
		060-064	No function
		065-069	Linear Dimmer Curve
		070-074	Square Dimming Curve
		075-079	Anti-Square Dimming Curve
		080-084	S-Curve Dimmer Curve
		085-089	No function
		090-094	LED (Fast) Dimmer Response
		095-099	Medium Dimmer Response
		100-104	Halogen (Slow) Dimmer Response
105-109	No function		

		110-114	Redshift On
		115-119	Redshift Off
		120-139	No function
		140-144	LED Frequency 1kHz
		145-149	LED Frequency 2kHz
		150-154	LED Frequency 4kHz
		155-159	LED Frequency 12kHz
		160-164	LED Frequency 16kHz
		165-169	LED Frequency 25kHz
		170-174	No function
		175-179	Fan Auto
		180-184	Fan Silent
		185-189	Fan Off
		190-194	Fan High Power
		195-199	No function
		200-214	Invert Mapping Off
		215-219	Invert Mapping On
		220-224	Aux Light 1 Reverse Off
		225-229	Aux Light 1 Reverse On
		230-234	Aux Light 2 Reverse Off
		235-239	Aux Light 2 Reverse On
		240-244	LED Mode – Half Power
		245-249	LED Mode – Full Power
		250	The Current Setting Invalid
		251-255	No function

19CH DIRECT

CH	Function	Value	Remark
1	Master Dimmer	000-255	0-100%
2	Strobe	000-019	Strobe close
		020-024	Strobe open
		025-064	Normal strobe (fast->slow)
		065-069	Strobe open

		070-109	Opening pulse (fast->slow)
		110-114	Strobe open
		115-154	Closing pulse (fast->slow)
		155-159	Strobe open
		160-199	Random strobe (fast->slow)
		200-204	Strobe open
		205-244	Lightning strobe (fast->slow)
		245-255	Strobe open
3	Dimmer 1	000-255	0-100%
4	Red 1	000-255	0-100%
5	Green 1	000-255	0-100%
6	Blue 1	000-255	0-100%
7	Lemon 1	000-255	0-100%
8	Amber 1	000-255	0-100%
9	Cyan 1	000-255	0-100%
10	Dimmer 2	000-255	0-100%
11	Red 2	000-255	0-100%
12	Green 2	000-255	0-100%
13	Blue 2	000-255	0-100%
14	Lemon 2	000-255	0-100%
15	Amber 2	000-255	0-100%
16	Cyan 2	000-255	0-100%
17	CTC (affects RGLAC 1+2)	000-004	No Function
		005-255	1800K-8500K linear in 100K every 4 steps
18	Tint (affects CTC and RGLAC 1+2)	001-127	Magenta->Neutral
		128	Neutral
		129-255	Neutral->Green
19	Device Settings (Hold 3s to activate, but for "The Current Setting Invalid" function needs to hold 10s)	000-029	No function
		030-034	8 Bit Resolution
		035-039	16 Bit Resolution
		040-044	No function
		045-049	DMX Fail Blackout

	050-054	DMX Fail Hold
	055-059	DMX Fail – Emergency Light
	060-064	No function
	065-069	Linear Dimmer Curve
	070-074	Square Dimming Curve
	075-079	Anti-Square Dimming Curve
	080-084	S-Curve Dimmer Curve
	085-089	No function
	090-094	LED (Fast) Dimmer Response
	095-099	Medium Dimmer Response
	100-104	Halogen (Slow) Dimmer Response
	105-109	No function
	110-114	Redshift On
	115-119	Redshift Off
	120-139	No function
	140-144	LED Frequency 1kHz
	145-149	LED Frequency 2kHz
	150-154	LED Frequency 4kHz
	155-159	LED Frequency 12kHz
	160-164	LED Frequency 16kHz
	165-169	LED Frequency 25kHz
	170-174	No function
	175-179	Fan Auto
	180-184	Fan Silent
	185-189	Fan Off
	190-194	Fan High Power
	195-199	No function
	200-214	Invert Mapping Off
	215-219	Invert Mapping On
	220-224	Aux Light 1 Reverse Off
	225-229	Aux Light 1 Reverse On
	230-234	Aux Light 2 Reverse Off
	235-239	Aux Light 2 Reverse On

		240-244	LED Mode – Half Power
		245-249	LED Mode – Full Power
		250	The Current Setting Invalid
		251-255	No function

30CH DIRECT			
CH	Function	Value	Remark
1	Master Dimmer	000-255	0-100%
2	Strobe	000-019	Strobe close
		020-024	Strobe open
		025-064	Normal strobe (fast->slow)
		065-069	Strobe open
		070-109	Opening pulse (fast->slow)
		110-114	Strobe open
		115-154	Closing pulse (fast->slow)
		155-159	Strobe open
		160-199	Random strobe (fast->slow)
		200-204	Strobe open
		205-244	Lightning strobe (fast->slow)
		245-255	Strobe open
3	Duration	000-255	Only affects to channel 2 – Normal strobe 025-064
4	Dimmer 1	000-255	0-100%
5	Red 1	000-255	0-100%
6	Green 1	000-255	0-100%
7	Blue 1	000-255	0-100%
8	Lemon 1	000-255	0-100%
9	Amber 1	000-255	0-100%
10	Cyan 1	000-255	0-100%
11	CTC 1 (affects RGLAC 1)	000-004	No Function
		005-255	1800K-8500K linear in 100K every 4 steps
12	Tint 1	001-127	Megenta->Neutral

	(affects CTC 1 and RGLAC 1)	128	Neutral
		129-255	Neutral->Green
13	Color Macro 1 (override RGLAC 1 / CTC 1)	001-255	Please see color macro chart
14	Color Macro Cross – fade 1 (Transition Time between Color Macros 1)	000-005	No function
		006-255	Time is getting longer
15	Dimmer 2	000-255	0-100%
16	Red 2	000-255	0-100%
17	Green 2	000-255	0-100%
18	Blue 2	000-255	0-100%
19	Lemon 2	000-255	0-100%
20	Amber 2	000-255	0-100%
21	Cyan 2	000-255	0-100%
22	CTC 2 (affects RGLAC 2)	000-004	No Function
		005-255	1800K-8500K linear in 100K every 4 steps
23	Tint 2 (affects CTC 2 and RGLAC 2)	001-127	Magenta->Neutral
		128	Neutral
		129-255	Neutral->Green
24	Color Macro 2 (override RGLAC 2 / CTC 2)	001-255	Please see color macro chart
25	Color Macro Cross – fade 2 (Transition Time between Color Macros 2)	000-005	No function
		006-255	Time is getting longer
26	Effect (override RGLAC 1+2 / CTC 1+2, Color Macro 1+2)	000-015	No function
		016-045	Effect 1 (slow->fast)
		046-075	Effect 2 (slow->fast)
		076-105	Effect 3 (slow->fast)

		106-135	Effect 4 (slow->fast)
		136-165	Effect 5 (slow->fast)
		166-195	Effect 6 (slow->fast)
		196-225	Effect 7 (slow->fast)
		226-255	Effect 8 (slow->fast)
27	Dimmer Curve	000-051	No Function - Current Preset from Menu Settings
		052-101	Linear Dimmer Curve
		102-152	Square dimmer curve
		153-203	Anti-square dimmer curve
		204-255	S-Curve Dimmer Curve
28	Dimmer Response	000-063	No Function - Current Preset from Menu Settings
		064-127	LED / fast
		128-191	Medium
		192-255	Halogen / slow
29	Redshift	000-084	No Function - Current Preset from Menu Settings
		085-170	Redshift Off
		171-255	Redshift On
30	Device Settings (Hold 3s to activate, but for "The Current Setting Invalid" function needs to hold 10s)	000-029	No function
		030-034	8 Bit Resolution
		035-039	16 Bit Resolution
		040-044	No function
		045-049	DMX Fail Blackout
		050-054	DMX Fail Hold
		055-059	DMX Fail – Emergency Light
		060-064	No function
		065-069	Linear Dimmer Curve
		070-074	Square Dimming Curve
		075-079	Anti-Square Dimming Curve
		080-084	S-Curve Dimmer Curve
		085-089	No function
		090-094	LED (Fast) Dimmer Response

		095-099	Medium Dimmer Response
		100-104	Halogen (Slow) Dimmer Response
		105-109	No function
		110-114	Redshift On
		115-119	Redshift Off
		120-139	No function
		140-144	LED Frequency 1kHz
		145-149	LED Frequency 2kHz
		150-154	LED Frequency 4kHz
		155-159	LED Frequency 12kHz
		160-164	LED Frequency 16kHz
		165-169	LED Frequency 25kHz
		170-174	No function
		175-179	Fan Auto
		180-184	Fan Silent
		185-189	Fan Off
		190-194	Fan High Power
		195-199	No function
		200-214	Invert Mapping Off
		215-219	Invert Mapping On
		220-224	Aux Light 1 Reverse Off
		225-229	Aux Light 1 Reverse On
		230-234	Aux Light 2 Reverse Off
		235-239	Aux Light 2 Reverse On
		240-244	LED Mode – Half Power
		245-249	LED Mode – Full Power
		250	The Current Setting Invalid
		251-255	No function

45CH DIRECT

CH	Function	Value	Remark
1	Master Dimmer	000-255	0-100%
2	Master Dimmer Fine	000-255	0-100%

3	Strobe	000-019	Strobe close
		020-024	Strobe open
		025-064	Normal strobe (fast->slow)
		065-069	Strobe open
		070-109	Opening pulse (fast->slow)
		110-114	Strobe open
		115-154	Closing pulse (fast->slow)
		155-159	Strobe open
		160-199	Random strobe (fast->slow)
		200-204	Strobe open
		205-244	Lightning strobe (fast->slow)
		245-255	Strobe open
4	Duration	000-255	Only affects to channel 2 – Normal strobe 025-064
5	Dimmer 1	000-255	0-100%
6	Dimmer 1 Fine	000-255	0-100%
7	Red 1	000-255	0-100%
8	Red 1 Fine	000-255	0-100%
9	Green 1	000-255	0-100%
10	Green 1 Fine	000-255	0-100%
11	Blue 1	000-255	0-100%
12	Blue 1 Fine	000-255	0-100%
13	Lemon 1	000-255	0-100%
14	Lemon 1 Fine	000-255	0-100%
15	Amber 1	000-255	0-100%
16	Amber 1 Fine	000-255	0-100%
17	Cyan 1	000-255	0-100%
18	Cyan 1 Fine	000-255	0-100%
19	CTC 1 (affects RGBLAC 1)	000-004	No Function
		005-255	1800K-8500K linear in 100K every 4 steps
20	Tint 1 (affects CTC 1 and	001-127	Magenta->Neutral
		128	Neutral

	RGBLAC 1)	129-255	Neutral->Green
21	Color Macro 1 (override RGBLAC 1 / CTC 1)	001-255	Please see color macro chart
22	Color Macro Cross – fade 1 (Transition Time between Color Macros 1)	000-005	No function
		006-255	Time is getting longer
23	Dimmer 2	000-255	0-100%
24	Dimmer 2 Fine	000-255	0-100%
25	Red 2	000-255	0-100%
26	Red 2 Fine	000-255	0-100%
27	Green 2	000-255	0-100%
28	Green 2 Fine	000-255	0-100%
28	Blue 2	000-255	0-100%
30	Blue 2 Fine	000-255	0-100%
31	Lemon 2	000-255	0-100%
32	Lemon 2 Fine	000-255	0-100%
33	Amber 2	000-255	0-100%
34	Amber 2 Fine	000-255	0-100%
35	Cyan 2	000-255	0-100%
36	Cyan 2 Fine	000-255	0-100%
37	CTC 2 (affects RGBLAC 2)	000-004	No Function
		005-255	1800K-8500K linear in 100K every 4 steps
38	Tint 2 (affects CTC 2 and RGBLAC 2)	001-127	Magenta->Neutral
		128	Neutral
		129-255	Neutral->Green
39	Color Macro 2 (override RGBLAC 2 / CTC 2)	001-255	Please see color macro chart
40	Color Macro Cross – fade 2 (Transition Time	000-005	No function
		006-255	Time is getting longer

	between Color Macros 2)		
41	Effect (override RGLAC 1+2 / CTC 1+2, Color Macro 1+2)	000-015	No function
		016-045	Effect 1 (slow->fast)
		046-075	Effect 2 (slow->fast)
		076-105	Effect 3 (slow->fast)
		106-135	Effect 4 (slow->fast)
		136-165	Effect 5 (slow->fast)
		166-195	Effect 6 (slow->fast)
		196-225	Effect 7 (slow->fast)
		226-255	Effect 8 (slow->fast)
42	Dimmer Curve	000-051	No Function - Current Preset from Menu Settings
		052-101	Linear Dimmer Curve
		102-152	Square dimmer curve
		153-203	Anti-square dimmer curve
		204-255	S-Curve Dimmer Curve
43	Dimmer Response	000-063	No Function - Current Preset from Menu Settings
		064-127	LED / fast
		128-191	Medium
		192-255	Halogen / slow
44	Redshift	000-084	No Function - Current Preset from Menu Settings
		085-170	Redshift Off
		171-255	Redshift On
45	Device Settings (Hold 3s to activate, but for "The Current Setting Invalid" function needs to hold 10s)	000-029	No function
		030-034	8 Bit Resolution
		035-039	16 Bit Resolution
		040-044	No function
		045-049	DMX Fail Blackout
		050-054	DMX Fail Hold
		055-059	DMX Fail – Emergency Light
		060-064	No function

	065-069	Linear Dimmer Curve
	070-074	Square Dimming Curve
	075-079	Anti-Square Dimming Curve
	080-084	S-Curve Dimmer Curve
	085-089	No function
	090-094	LED (Fast) Dimmer Response
	095-099	Medium Dimmer Response
	100-104	Halogen (Slow) Dimmer Response
	105-109	No function
	110-114	Redshift On
	115-119	Redshift Off
	120-139	No function
	140-144	LED Frequency 1kHz
	145-149	LED Frequency 2kHz
	150-154	LED Frequency 4kHz
	155-159	LED Frequency 12kHz
	160-164	LED Frequency 16kHz
	165-169	LED Frequency 25kHz
	170-174	No function
	175-179	Fan Auto
	180-184	Fan Silent
	185-189	Fan Off
	190-194	Fan High Power
	195-199	No function
	200-214	Invert Mapping Off
	215-219	Invert Mapping On
	220-224	Aux Light 1 Reverse Off
	225-229	Aux Light 1 Reverse On
	230-234	Aux Light 2 Reverse Off
	235-239	Aux Light 2 Reverse On
	240-244	LED Mode – Half Power
	245-249	LED Mode – Full Power
	250	The Current Setting Invalid

		251-255	No function
--	--	---------	-------------

24CH AUX			
CH	Function	Value	Remark
1	Master Dimmer	000-255	0-100%
2	Strobe	000-019	Strobe close
		020-024	Strobe open
		025-064	Normal strobe (fast->slow)
		065-069	Strobe open
		070-109	Opening pulse (fast->slow)
		110-114	Strobe open
		115-154	Closing pulse (fast->slow)
		155-159	Strobe open
		160-199	Random strobe (fast->slow)
		200-204	Strobe open
		205-244	Lightning strobe (fast->slow)
		245-255	Strobe open
3	Dimmer 1	000-255	0-100%
4	Dimmer 2	000-255	0-100%
5	Red	000-255	0-100%
6	Green	000-255	0-100%
7	Blue	000-255	0-100%
8	Lemon	000-255	0-100%
9	Amber	000-255	0-100%
10	Cyan	000-255	0-100%
11	CTC (affects RGLAC)	000-004	No Function
		005-255	1800K-8500K linear in 100K every 4 steps
12	Tint (affects CTC and RGLAC)	001-127	Magenta->Neutral
		128	Neutral
		129-255	Neutral->Green
13	Color Macro (override RGLAC /	001-255	Please see color macro chart

	CTC)		
14	Color Macro Cross – fade (Transition Time between Color Macros)	000-005	No function
		006-255	Time is getting longer
15	Dimmer Curve	000-051	No Function - Current Preset from Menu Settings
		052-101	Linear Dimmer Curve
		102-152	Square dimmer curve
		153-203	Anti-square dimmer curve
		204-255	S-Curve Dimmer Curve
16	Dimmer Response	000-063	No Function - Current Preset from Menu Settings
		064-127	LED / fast
		128-191	Medium
		192-255	Halogen / slow
17	Redshift	000-084	No Function - Current Preset from Menu Settings
		085-170	Redshift Off
		171-255	Redshift On
18	Device Settings (Hold 3s to activate, but for “The Current Setting Invalid” function needs to hold 10s)	000-029	No function
		030-034	8 Bit Resolution
		035-039	16 Bit Resolution
		040-044	No function
		045-049	DMX Fail Blackout
		050-054	DMX Fail Hold
		055-059	DMX Fail – Emergency Light
		060-064	No function
		065-069	Linear Dimmer Curve
		070-074	Square Dimming Curve
		075-079	Anti-Square Dimming Curve
		080-084	S-Curve Dimmer Curve
085-089	No function		

		090-094	LED (Fast) Dimmer Response
		095-099	Medium Dimmer Response
		100-104	Halogen (Slow) Dimmer Response
		105-109	No function
		110-114	Redshift On
		115-119	Redshift Off
		120-139	No function
		140-144	LED Frequency 1kHz
		145-149	LED Frequency 2kHz
		150-154	LED Frequency 4kHz
		155-159	LED Frequency 12kHz
		160-164	LED Frequency 16kHz
		165-169	LED Frequency 25kHz
		170-174	No function
		175-179	Fan Auto
		180-184	Fan Silent
		185-189	Fan Off
		190-194	Fan High Power
		195-199	No function
		200-214	Invert Mapping Off
		215-219	Invert Mapping On
		220-224	Aux Light 1 Reverse Off
		225-229	Aux Light 1 Reverse On
		230-234	Aux Light 2 Reverse Off
		235-239	Aux Light 2 Reverse On
		240-244	LED Mode – Half Power
		245-249	LED Mode – Full Power
		250	The Current Setting Invalid
		251-255	No function
19	Aux 1 Dimmer	000-255	0-100%
20	Aux 2 Dimmer	000-255	0-100%
21	Aux Effect	000-005	No function
		006-020	Effect 1

		021-035	Effect 2
		036-050	Effect 3
		051-065	Effect 4
		066-080	Effect 5
		081-095	Effect 6
		096-110	Effect 7
		111-125	Effect 8
		126-140	Effect 9
		141-155	Effect 10
		156-170	Effect 11
		171-185	Effect 12
		186-200	Effect 13
		201-215	Effect 14
		216-230	Effect 15
		231-255	Effect 16
22	Aux Effect Speed	000	Stop
		001-127	Run Clockwise (fast->slow)
		128	Stop
		129-255	Run Counterclockwise (fast->slow)
23	Aux Effect Color	000	Red
		001-254	R->G->B Gradient Loop
		255	R&G&B
24	Reserve	000-255	Reserve

28CH AUX			
CH	Function	Value	Remark
1	Master Dimmer	000-255	0-100%
2	Strobe	000-019	Strobe close
		020-024	Strobe open
		025-064	Normal strobe (fast->slow)
		065-069	Strobe open
		070-109	Opening pulse (fast->slow)
		110-114	Strobe open

		115-154	Closing pulse (fast->slow)
		155-159	Strobe open
		160-199	Random strobe (fast->slow)
		200-204	Strobe open
		205-244	Lightning strobe (fast->slow)
		245-255	Strobe open
3	Dimmer 1	000-255	0-100%
4	Dimmer 2	000-255	0-100%
5	Red	000-255	0-100%
6	Green	000-255	0-100%
7	Blue	000-255	0-100%
8	Lemon	000-255	0-100%
9	Amber	000-255	0-100%
10	Cyan	000-255	0-100%
11	CTC (affects RGLAC)	000-004	No Function
		005-255	1800K-8500K linear in 100K every 4 steps
12	Tint (affects CTC and RGLAC)	001-127	Magenta->Neutral
		128	Neutral
		129-255	Neutral->Green
13	Color Macro (override RGLAC / CTC)	001-255	Please see color macro chart
14	Color Macro Cross – fade (Transition Time between Color Macros)	000-005	No function
		006-255	Time is getting longer
15	Dimmer Curve	000-051	No Function - Current Preset from Menu Settings
		052-101	Linear Dimmer Curve
		102-152	Square dimmer curve
		153-203	Anti-square dimmer curve
		204-255	S-Curve Dimmer Curve

16	Dimmer Response	000-063	No Function - Current Preset from Menu Settings
		064-127	LED / fast
		128-191	Medium
		192-255	Halogen / slow
17	Redshift	000-084	No Function - Current Preset from Menu Settings
		085-170	Redshift Off
		171-255	Redshift On
18	Device Settings (Hold 3s to activate, but for "The Current Setting Invalid" function needs to hold 10s)	000-029	No function
		030-034	8 Bit Resolution
		035-039	16 Bit Resolution
		040-044	No function
		045-049	DMX Fail Blackout
		050-054	DMX Fail Hold
		055-059	DMX Fail – Emergency Light
		060-064	No function
		065-069	Linear Dimmer Curve
		070-074	Square Dimming Curve
		075-079	Anti-Square Dimming Curve
		080-084	S-Curve Dimmer Curve
		085-089	No function
		090-094	LED (Fast) Dimmer Response
		095-099	Medium Dimmer Response
		100-104	Halogen (Slow) Dimmer Response
		105-109	No function
		110-114	Redshift On
		115-119	Redshift Off
		120-139	No function
140-144	LED Frequency 1kHz		
145-149	LED Frequency 2kHz		
150-154	LED Frequency 4kHz		
155-159	LED Frequency 12kHz		

		160-164	LED Frequency 16kHz
		165-169	LED Frequency 25kHz
		170-174	No function
		175-179	Fan Auto
		180-184	Fan Silent
		185-189	Fan Off
		190-194	Fan High Power
		195-199	No function
		200-214	Invert Mapping Off
		215-219	Invert Mapping On
		220-224	Aux Light 1 Reverse Off
		225-229	Aux Light 1 Reverse On
		230-234	Aux Light 2 Reverse Off
		235-239	Aux Light 2 Reverse On
		240-244	LED Mode – Half Power
		245-249	LED Mode – Full Power
		250	The Current Setting Invalid
		251-255	No function
19	Aux 1 Dimmer	000-255	0-100%
20	Aux 2 Dimmer	000-255	0-100%
21	Aux Effect	000-005	No function
		006-020	Effect 1
		021-035	Effect 2
		036-050	Effect 3
		051-065	Effect 4
		066-080	Effect 5
		081-095	Effect 6
		096-110	Effect 7
		111-125	Effect 8
		126-140	Effect 9
		141-155	Effect 10
		156-170	Effect 11
		171-185	Effect 12

		186-200	Effect 13
		201-215	Effect 14
		216-230	Effect 15
		231-255	Effect 16
22	Aux Effect Speed	000	Stop
		001-127	Run Clockwise (fast->slow)
		128	Stop
		129-255	Run Counterclockwise (fast->slow)
23	Aux Effect Color	000	Red
		001-254	R->G->B Gradient Loop
		255	R&G&B
24	Aux Effect Fading	000-255	Fading Time
25	Aux Red	000-255	0-100%
26	Aux Green	000-255	0-100%
27	Aux Blue	000-255	0-100%
28	Reverse	000-255	Reverse

38CH AUX

CH	Function	Value	Remark
1	Master Dimmer	000-255	0-100%
2	Strobe	000-019	Strobe close
		020-024	Strobe open
		025-064	Normal strobe (fast->slow)
		065-069	Strobe open
		070-109	Opening pulse (fast->slow)
		110-114	Strobe open
		115-154	Closing pulse (fast->slow)
		155-159	Strobe open
		160-199	Random strobe (fast->slow)
		200-204	Strobe open
		205-244	Lightning strobe (fast->slow)
		245-255	Strobe open
3	Dimmer 1	000-255	0-100%

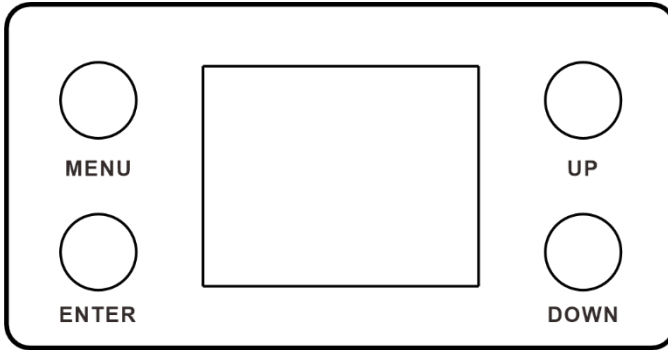
4	Dimmer 2	000-255	0-100%
5	Red 1	000-255	0-100%
6	Green 1	000-255	0-100%
7	Blue 1	000-255	0-100%
8	Lemon 1	000-255	0-100%
9	Amber 1	000-255	0-100%
10	Cyan 1	000-255	0-100%
11	Red 2	000-255	0-100%
12	Green 2	000-255	0-100%
13	Blue 2	000-255	0-100%
14	Lemon 2	000-255	0-100%
15	Amber 2	000-255	0-100%
16	Cyan 2	000-255	0-100%
17	CTC (affects RGLAC)	000-004	No Function
		005-255	1800K-8500K linear in 100K every 4 steps
18	Tint (affects CTC and RGLAC)	001-127	Magenta->Neutral
		128	Neutral
		129-255	Neutral->Green
19	Color Macro (override RGLAC / CTC)	001-255	Please see color macro chart
20	Color Macro Cross – fade (Transition Time between Color Macros)	000-005	No function
		006-255	Time is getting longer
21	Dimmer Curve	000-051	No Function - Current Preset from Menu Settings
		052-101	Linear Dimmer Curve
		102-152	Square dimmer curve
		153-203	Anti-square dimmer curve
		204-255	S-Curve Dimmer Curve
22	Dimmer Response	000-063	No Function - Current Preset from Menu Settings

		064-127	LED / fast
		128-191	Medium
		192-255	Halogen / slow
23	Redshift	000-084	No Function - Current Preset from Menu Settings
		085-170	Redshift Off
		171-255	Redshift On
24	Device Settings (Hold 3s to activate, but for "The Current Setting Invalid" function needs to hold 10s)	000-029	No function
		030-034	8 Bit Resolution
		035-039	16 Bit Resolution
		040-044	No function
		045-049	DMX Fail Blackout
		050-054	DMX Fail Hold
		055-059	DMX Fail – Emergency Light
		060-064	No function
		065-069	Linear Dimmer Curve
		070-074	Square Dimming Curve
		075-079	Anti-Square Dimming Curve
		080-084	S-Curve Dimmer Curve
		085-089	No function
		090-094	LED (Fast) Dimmer Response
		095-099	Medium Dimmer Response
		100-104	Halogen (Slow) Dimmer Response
		105-109	No function
		110-114	Redshift On
		115-119	Redshift Off
		120-139	No function
		140-144	LED Frequency 1kHz
		145-149	LED Frequency 2kHz
		150-154	LED Frequency 4kHz
155-159	LED Frequency 12kHz		
160-164	LED Frequency 16kHz		
165-169	LED Frequency 25kHz		

		170-174	No function
		175-179	Fan Auto
		180-184	Fan Silent
		185-189	Fan Off
		190-194	Fan High Power
		195-199	No function
		200-214	Invert Mapping Off
		215-219	Invert Mapping On
		220-224	Aux Light 1 Reverse Off
		225-229	Aux Light 1 Reverse On
		230-234	Aux Light 2 Reverse Off
		235-239	Aux Light 2 Reverse On
		240-244	LED Mode – Half Power
		245-249	LED Mode – Full Power
		250	The Current Setting Invalid
		251-255	No function
25	Aux 1 Dimmer	000-255	0-100%
26	Aux 2 Dimmer	000-255	0-100%
27	Aux Strobe	000-019	Strobe close
		020-024	Strobe open
		025-064	Normal strobe (fast->slow)
		065-069	Strobe open
		070-109	Opening pulse (fast->slow)
		110-114	Strobe open
		115-154	Closing pulse (fast->slow)
		155-159	Strobe open
		160-199	Random strobe (fast->slow)
		200-204	Strobe open
		205-244	Lightning strobe (fast->slow)
		245-255	Strobe open
28	Aux Effect	000-005	No function
		006-020	Effect 1
		021-035	Effect 2

		036-050	Effect 3
		051-065	Effect 4
		066-080	Effect 5
		081-095	Effect 6
		096-110	Effect 7
		111-125	Effect 8
		126-140	Effect 9
		141-155	Effect 10
		156-170	Effect 11
		171-185	Effect 12
		186-200	Effect 13
		201-215	Effect 14
		216-230	Effect 15
		231-255	Effect 16
29	Aux Effect Speed	000	Stop
		001-127	Run Clockwise (fast->slow)
		128	Stop
		129-255	Run Counterclockwise (fast->slow)
30	Aux Effect Color	000	Red
		001-254	R->G->B Gradient Loop
		255	R&G&B
31	Aux Effect Fading	000-255	Fading Time
32	Aux Red 1	000-255	0-100%
33	Aux Green 1	000-255	0-100%
34	Aux Blue 1	000-255	0-100%
35	Aux Red 1	000-255	0-100%
36	Aux Green 1	000-255	0-100%
37	Aux Blue 1	000-255	0-100%
38	Reverse	000-255	Reverse

12. Control menu



- MENU** Menu and return
- DOWN** To go backward in the selected functions
- UP** To go forward in the selected functions
- ENTER** To confirm the selected functions

Note:

1. Screen lock password: Up Down Up Down
2. Press the Enter button to enter the menu
3. If there is no operation within 30 seconds, the interface will jump to the main menu
4. If the current mode is DMX mode, when there is no signal input, the screen will flash after no operation for a few seconds, and will not turn off the screen
5. When it's master mode, do not enter the screen saver

Set DMX Address:

1. Press "**MENU**" to unlock screen, then select the "**DMX Address**" and press "**ENTER**".
2. Showing "**Set DMX Address 001**", Press the "**UP** or **DOWN**" key to increase or decrease the DMX address value.
- 3 Press "**ENTER**" to save and Exit, Press "**Cancel**" does not save and Exit.

Level 1 menu	Level 2 menu	Level 3 menu	Description
DMX Mode	Mode 1	1CH DWE	
		2CH DWE	
		4CH DWE	
		9CH DWE+	
		6CH STROBE	
		6CH RGB	
		10CH BASIC RGB	
		14CH BASIC RGB	
		13CH STD. RGB	
		22CH STD. RGB	
		24CH EXT. RGB	
		33CH EXT. RGB	
		12CH DIRECT	
		13CH DIRECT	
	19CH DIRECT		
	30CH DIRECT		
	45CH DIRECT		
Mode 2	24CH AUX		
	28CH AUX		
	38CH AUX		
Auto	Turn to DMX		Press the determine button to return to the main interface of DMX mode
	Dimmer 100		000-100
	Effect 00		00-08 00: Not executing the effect 01-08: Various effects
	Speed 100		000-100
	Aux Effect 00		00-16 00: Not executing the effect 01-16: Various effects
	Aux Speed 100		000-100

	Aux Color 00		00-07 00: Color polling (patterns will automatically change colors) 01: R 02: G 03: B 04: R&G 05: R&B 06: G&B 07: R&G&B
Quick Color	Turn to DMX		Press the determine button to return to the main interface of DMX mode
	Dimmer 100		000-100
	Shutter 255		000-255 (Refer to the flicker explanation of channel mode)
	Red 000		000-255
	Green 000		000-255
	Blue 000		000-255
	Lemon 000		000-255
	Amber 000		000-255
	Cyan 000		000-255
	Aux Red 000		000-255
	Aux Green 000		000-255
Aux Blue 000		000-255	
Color Macro	Dimmer 100		000-100
	Color Macro 00		00-60 (For the corresponding names of colored paper, please refer to the colored paper table below)
Tunable White	Dimmer 100		000-100
	CCT 2900K		1800K-8500K
	Tint +000		-127~+127

			Negative values tend to be reddish, positive values tend to be greenish, and 0 represents neutral color
User Color	Color 1	Dimmer 100	There are a total of five custom colors, and the operation items are shown in color 1
		Shutter 255	
		Red 000	
		Green 000	
		Blue 000	
		Lemon 000	
		Amber 000	
		Cyan 000	
		Aux Red 000	
		Aux Green 000	
	Aux Blue 000		
Color 2			
Color 3			
Color 4			
Color 5			
Settings	Language	中文	The screen display language is Chinese
		English	The screen display language is English
	MOSI Switch	Off	Do not send host data to slave
		On	Send host data to slave
	Screensaver	Off	
		On	Enter screensaver after 30 seconds without button operation
	Screenflip	Off	
		On	The screen flips
	Screenlock	Off	
		On	Lock after 30 seconds without button operation
	DMX Fail	In DMX mode, the data status of the LED after signal interruption	
		Clear	The data will be cleared later
		Hold	Data hold
		Lit up	Keep the LED on at the power limit set by the

			current power setting
Dimmer Curve	Use the console to execute the power curve for regular dimming, without affecting the dimming, color temperature, color paper, and other modes with bulb effects (if the channel mode itself has a dimming curve, use the dimming curve channel as a guide)		
	Linear	Linear power curve	
	Square	Square power curve	
	Anti-square	Inverse square power curve	
	S-line	S power curve	
Dimmer Bit	The process of changes in LED bead data		
	8Bit	Direct switching of LED data	
	16Bit	Smooth conversion of LED bead data	
Dimmer Resp.	The speed of light changes (if the channel mode itself has a dimming speed, use the dimming speed channel as a guide)		
	Led		
	Medium		
	Halogen		
LED Frequency	1kHz		
	2kHz		
	4kHz		
	12kHz		
	16kHz		
	25kHz		
Redshift	Only applicable to color temperatures		
	Off		
	On		
Fan	High Speed	Unconditional constant high-speed rotation of the fan	
	Low Speed	Unconditional constant low-speed rotation of the fan	

		Off	The fan stops rotating
		Auto	If the temperature control resistor is not connected, the fan will rotate when the LED lights up. After connecting the temperature control resistor, when the temperature exceeds 44 °C, the fan rotates; When the temperature drops below 40 °C, the fan stops.
Invert Mapping	The direction of running and dimming of the lamp beads		
	Off		
	On		
Aux1 Invert	The running reverse of the auxiliary light 1 effect		
	Off		
	On		
Aux2 Invert	The running reverse of the auxiliary light 2 effect		
	Off		
	On		
LED Mode	Set the power limit in the background to full power		
	Lower Power		
	High Power		
Restore	Factory reset, backend parameters and language settings are not restored, and the interface jumps to the main interface		
	Off		
	On		
System Info	Firmware VER	2eye-RGBLAC V1.1	
	RDM ID		Each device has a different ID number, consisting of 6 hexadecimal digits

	Temperature	LED1: xx°C/xx°F LED2: xx°C/xx°F MAX: xx°C/xx°F	
	Power on time	0: 00	
	LED on time	LED1: 0: 00 LED2: 0: 00	
	Fan state	RPM1: 0000 RPM2: 0000	
	Errors		If the temperature control resistor detection fails, the failed temperature control will be displayed If the fan should be rotating but no speed is detected, it will display a faulty fan

13. Specification

Lightsource

- 2 x 475W RGBLAC 6in1 specially supplied leds
- 2 x (64x0.2W) RGB 3in1 led rings
- Beam angles $\geq 60^\circ$

Control

- DMX Channel Modes: 1CH DWE, 2CH DWE, 4CH DWE, 9CH DWE, 6CH STROBE, 6CH RGB, 10CH BASIC RGB, 14CH BASIC RGB, 13CH STD. RGB, 22CH STD. RGB, 24CH EXT. RGB, 33CH EXT. RGB, 12CH DIRECT, 13CH DIRECT, 19CH DIRECT, 30CH DIRECT, 45CH DIRECT, 24CH AUX, 28CH AUX, 38CH AUX
- Display: Illuminated graphic LCD
- Controls: 4 touch sensitive, backlighted controls
- Protocol: USITT DMX-512, RDM
- Standalone mode: Auto Program, Color Macro, Quick Color, Tunable White, User Color
- Cooling: Active, Forced Air, Temperature-regulated
- Thermal Protection: Automatic overtemperature protection

Connectors

- DMX I/O: Seetronic IP65 XLR 3-Pin or 5-Pin In&Out
- Power I/O: Seetronic PowerCON TRUE1 In&Out

Operating Conditions

- Mains voltage: 100-240V AC / 50-60Hz
- Max power consumption 500W
- Temperature range, Operating: -40°C to 45°C

Mounting Options

- Mounting point by Yoke (included)
- Safety wire attachment: foldout eyelets

Shipping

Single fixture: cardboard

Tourpack: 4-way Flight Case

Housing Colors

Standard colors: black

Dimensions

Length: 420 mm

Width: 200 mm

Height (including handle): 249 mm

Weight

N.W: 8.8 kg G.W: 10.5 kg

Packing Size

54x30x25.5cm

COLOR CARD

VALUE	COLOR	VALUE	COLOR
1	Oyster white	31	Shi Nanzi
2	Beige	32	Dingxiang Blue
3	golden	33	Pearl Purple
4	Beige color	34	Pearl Blackberry
5	Ivory color	35	Pigeon Blue
6	Light ivory color	36	Sky blue
7	dark yellow	37	Light Blue
8	canary yellow	38	Gentian Blue
9	Light Orange Yellow	39	Bright Blue
10	Yellow Orange	40	Changing Blue
11	Light Orange	41	Water Blue
12	Pure Orange	42	Far Blue
13	Salmon Orange	43	wathet
14	Pearl Orange	44	Pearl Gentian Blue
15	Flame Red	45	Pearl Night Blue
16	Signal red	46	patina green
17	Carmine	47	Emerald Green
18	Ruby Red	48	Leaf green
19	Purple red	49	Grass green
20	Tomato red	50	Yellow green
21	Antique pink	51	Green traffic
22	rose pink	52	Fern green
23	Coral Red	53	Opal green
24	rose	54	Light green
25	Traffic Red	55	Pastel turquoise
26	Purple red	56	Silk Grey
27	Eastern Red	57	Cream color
28	Wine Red	58	Signal white
29	Oxidation Red	59	Light brown
30	Red lilac	60	Orange yellow brown